



ergonomic products
Performance Without Compromise™

Assembly & Installation Guide

R1: Ergonomic Products Rapidcarts™





QUESTIONS? Contact Customer Service At: 1-866-ERGO-4-US

For answers to your technical questions.

In the event you need to use our voice mail system, a technical service representative will return your call promptly.

INTRODUCTION

In this manual you will find complete installation instructions for your new Ergonomic Products Rapid Deployment Cart(s)[™]. There are three (3) major sections:

1. Receiving your Rapid Deployment Carts[™]
2. Package contents
3. Installation/Assembly

SECTION 1 - RECEIVING YOUR RAPID DEPLOYMENT CART[™]

Before starting to assemble your Rapid Deployment Carts[™] carefully follow the instructions in the following subsections. Doing this will facilitate the actual assembly process.

Shipping Configuration

Your Rapid Deployment Carts[™] is carefully packaged at the factory for safe shipment. Inspect the shipping cartons immediately for evidence of in transit damage. If you see any indication of external damage, call us at the toll-free number listed above. This will simplify making a claim against the shipping company.

Unpacking

Open each shipping carton and carefully remove the contents. Remove all packaging material from the contents of the shipping cartons. Arrange the contents on a bench or table in preparation for the inspection described in the next section.

Inspection

After unpacking your Rapid Deployment Carts[™] carefully check that the configuration/options for your application are correct. Inspect the shipping cartons immediately for evidence of in-transit damage. If you see any indication of external damage, call us at the toll-free number listed below. This will simplify making a claim against the shipping company.



SECTION 2 – PACKAGE CONTENTS

Please make sure your Rapidcart™ is complete before you begin assembly. The package will include:

Box 1. Cart body (1), Casters (4), Tube of silicone (1).

If ordering a Dr. Specialty Cart this box will also include: (1) Power strip, (1) Adj. Shelf

Corian® Worksurface (1), Aluminum Cover plates (2). 2 per cart if applicable (Cart tops w/holes)

If anything is missing, contact Ergonomic Products customer service at **1-866-ERGO-4-US**.

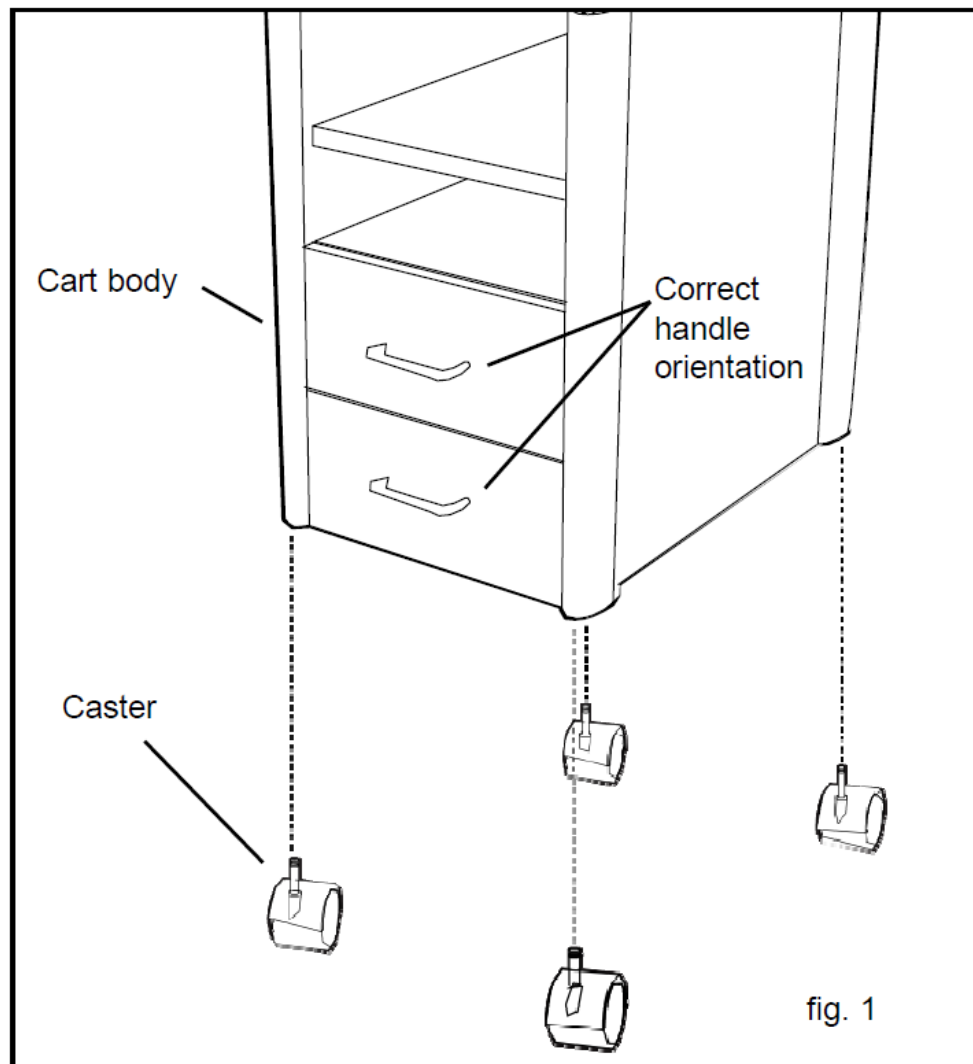
We make every effort to assure that shipments are complete. However, if anything is missing, please call us immediately and we will send the item(s) out to you promptly.



SECTION 3 – BEGINNING ASSEMBLY

Proceed as follows to assemble:

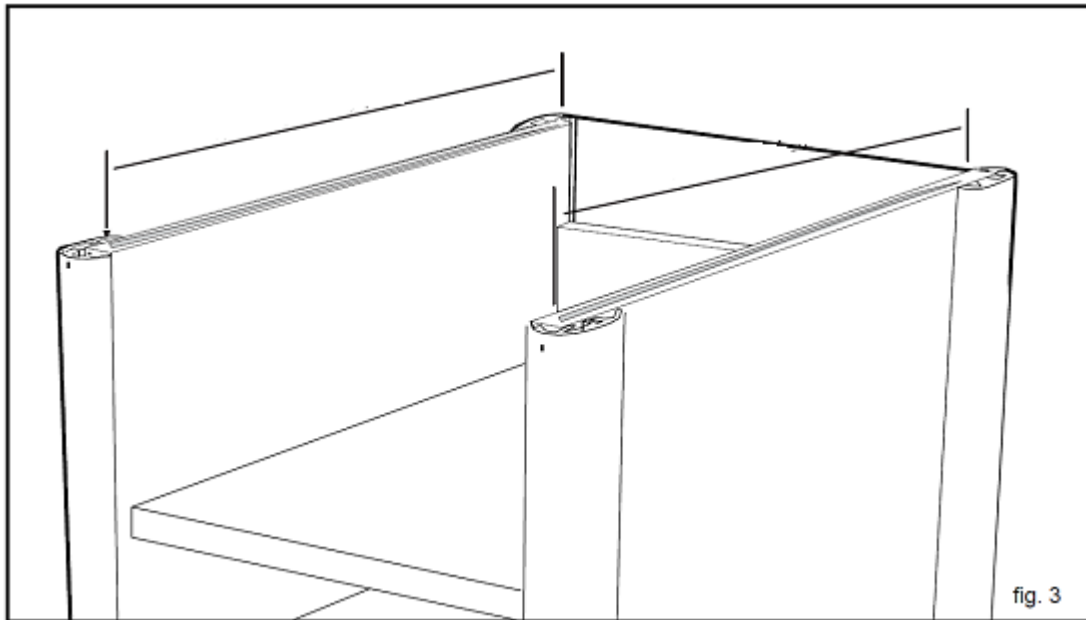
1. Remove all packaging.
2. Install Casters into bottom of Cart body (packaged in one of the drawers). See fig 1
3. Reverse drawer handles. See fig.1
4. Install Adjustable shelf in desired position.





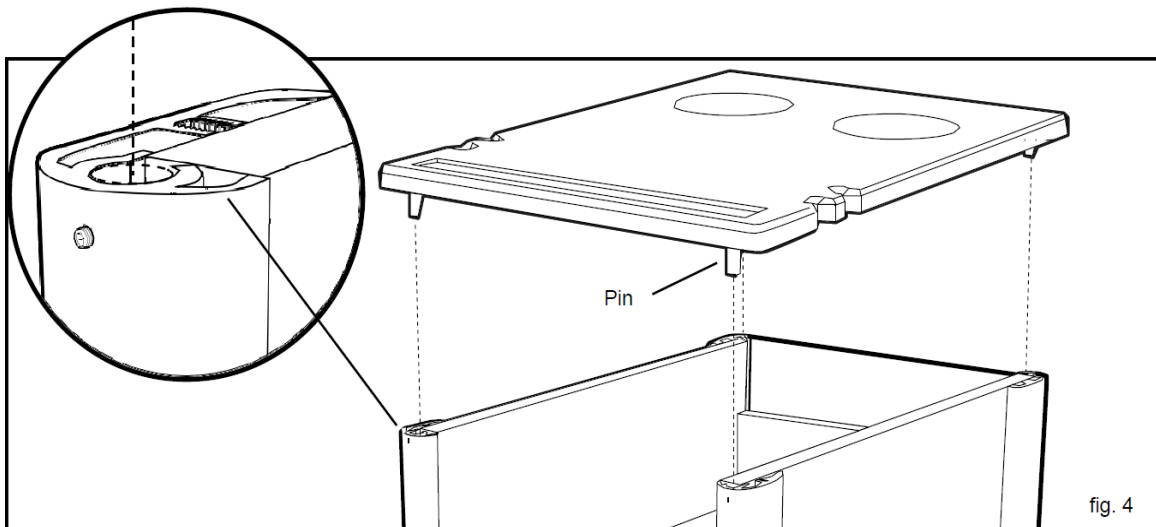
1) Install Corian® work surface.

a.) Squeeze a 1/8" bead of silicone (supplied) on to top edges of Cart body. See fig.3



b.) Align 4 pins on Corian® worksurface with 4 holes on the top of the Cart body. See fig.4

c.) Push Corian® worksurface down, making full contact with silicone.





7. Installing the Rear Cover Plate. (only applicable to Dr. Specialty carts)

- a.) Secure any accessory power cords from the power strip with the velcro straps provided. (fig.5)
- b.) Place Rear Cover Plate in position to engage Rear Plate Clips and slide down until secure. (fig.6)
- c.) Place power strip cord in tool cutout when not in use.

