



ergonomic products
Performance Without Compromise™

Assembly & Installation Guide

**N6, N7: Ergonomic Products 32" Inwall™ Cabinets
(Comfort Stations w/ & w/o extension)**





QUESTIONS? Contact Customer Service At: 1-866-ERGO-4-US

For answers to your technical questions.

In the event you need to use our voice mail system, a technical service representative will return your call promptly.

INTRODUCTION

In this manual you will find complete installation instructions for your new Ergonomic Products 32" Inwall™ Comfort Station. There are five (5) major sections:

1. Receiving your Inwall
2. Items you will receive/Tools needed for installation
3. Unpacking
4. Construction Specifications & Requirements
 - 4a. Installation of 32" Inwall™ Comfort Station
 - 4b. Installation of 32" Inwall™ Comfort Media
 - 4c. Installation/Removal of 32" Inwall™ cover plates
5. Maintenance

SECTION 1 – RECEIVING YOUR COMFORT STATION

Before starting to assemble your 32" Inwall™ Comfort Station or 32" Inwall™ Comfort Media carefully follow the instructions in the following subsections. Doing this will facilitate the actual assembly process.

Shipping Configuration

Your products have been carefully packaged at the factory for safe shipment. Inspect the shipping cartons immediately for evidence of in transit damage. If you see any indication of external damage, call us at the toll-free number listed above. This will simplify making a claim against the shipping company.

Unpacking

Open each shipping carton and carefully remove the contents. Remove all packaging material from the contents of the shipping cartons. Arrange the contents on a bench or table in preparation for the inspection described in the next section. The 32" Inwall™ Comfort Station ships in two (2) boxes where the 32" Inwall™ Comfort Media is crate shipped.

Inspection

After unpacking your 32" Inwall™ Comfort Station or 32" Inwall™ Comfort Media, carefully check that the configuration/options for your product(s) are correct. If anything is damaged or missing, contact Ergonomic Products customer service at **1-866-ERGO-4-US**.

We make every effort to assure that shipments are complete. However, if anything is missing or damaged, please call us immediately and we will send the item(s) out to you promptly.



SECTION 2: ITEMS YOU WILL RECEIVE

32" inwall® comfort station (standard & Extended)	Location
(1) 32" Inwall® Lower Assembly	Box 1
(1) Sink Tail piece	Box 1
(1) 32" Inwall® Upper Assembly	Box 2
(1) Adjustable shelf w/ shelf pins	Box 2
32" inwall® comfort media	Notes
(1) 32" Inwall® Comfort Media	Crate
(1) ICW T2 Monitor Mount	Crate
(1) Sink Tail piece	Crate

TOOLS REQUIRED FOR INSTALLTION

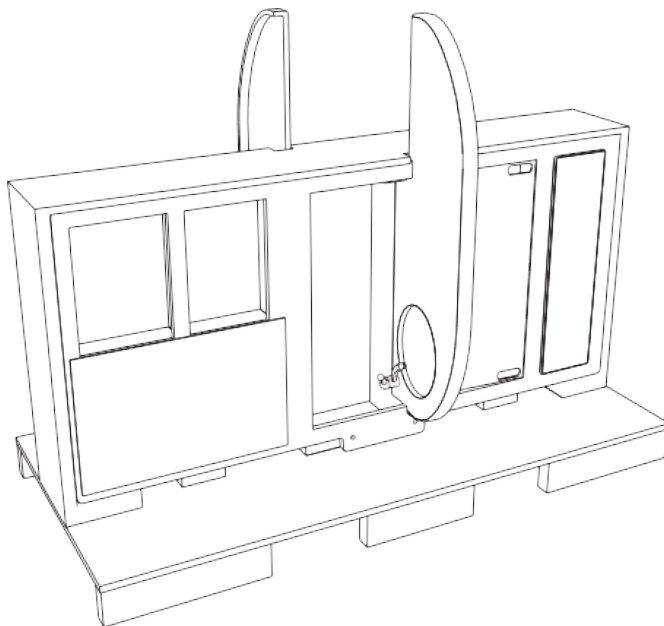
Description	Purpose
Level	
Phillips screwdriver	
Electric drill	
(8) #8 x2-1/2" flat head screws	For fastening Inwall to studs



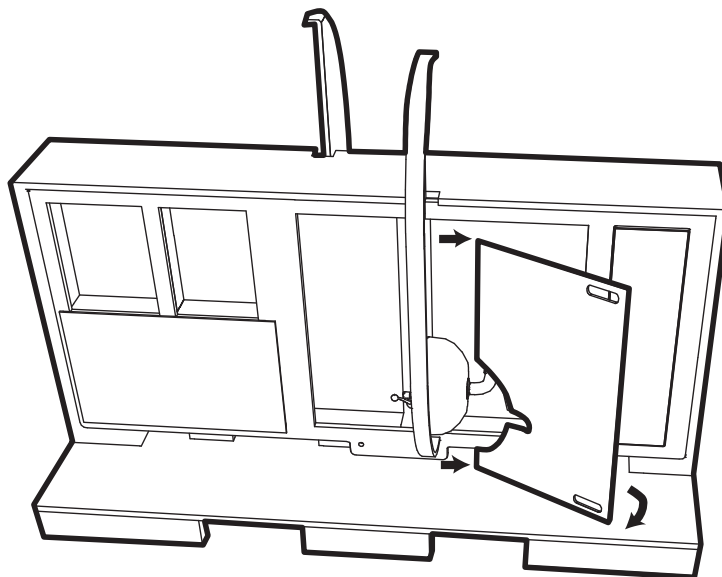
Section 2: Unpacking – 32” comfort media

For safe unpacking of the shipping crate, you will need:

- 2 people to handle the 32” Inwall™ Comfort Media.
- 1 Phillips screwdriver.



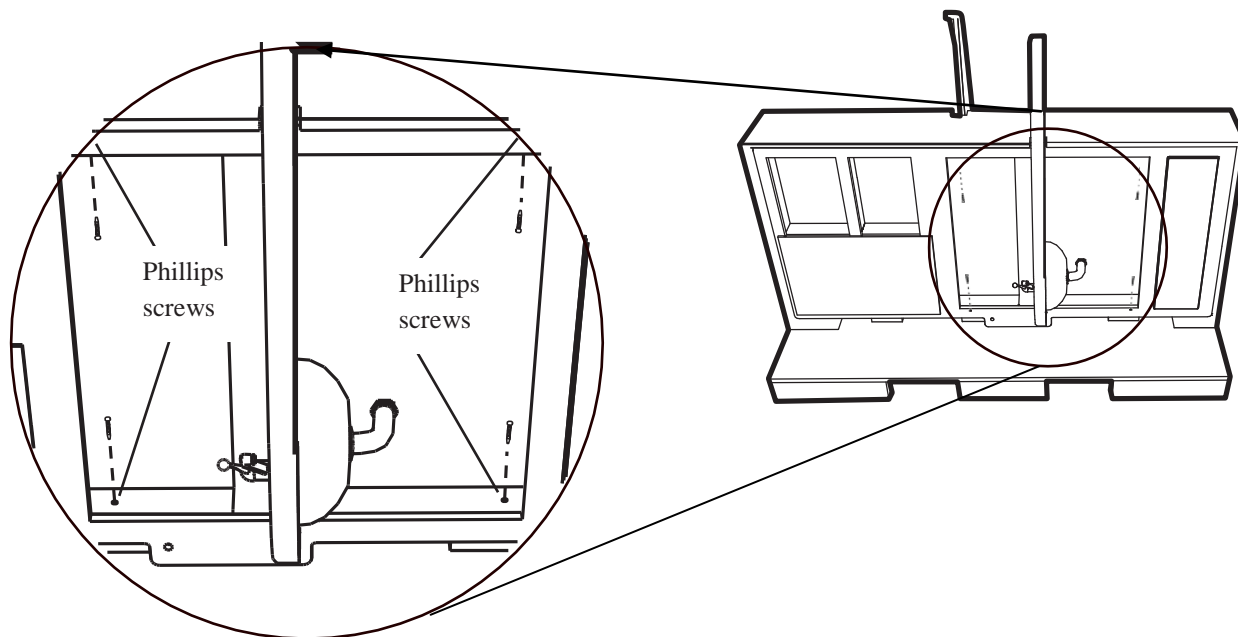
1. Remove all packing material and accessory boxes from shipping crate.



2. Locate and remove lower cover panel (32” Inwall™ Comfort Media) by out at the top of the panel. The cover is held in place by 2 magnets at the top and 2 fingers at the bottom.

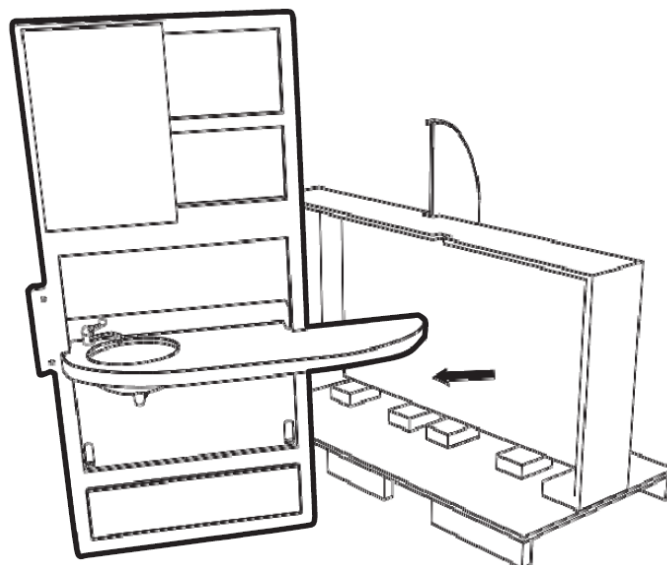


Section 2: Unpacking – 32” comfort media



3. Locate and remove the four (4) Phillips head screws securing the 32” Inwall™ Comfort Media to the shipping crate.
4. Once the screws are removed, the 32” Inwall™ Comfort Media is released from the shipping crate. Please use safe lifting procedures to free the 32” Inwall™ Comfort Media from the crate.

Repeat steps 1-4 on the opposite side of crate if applicable.



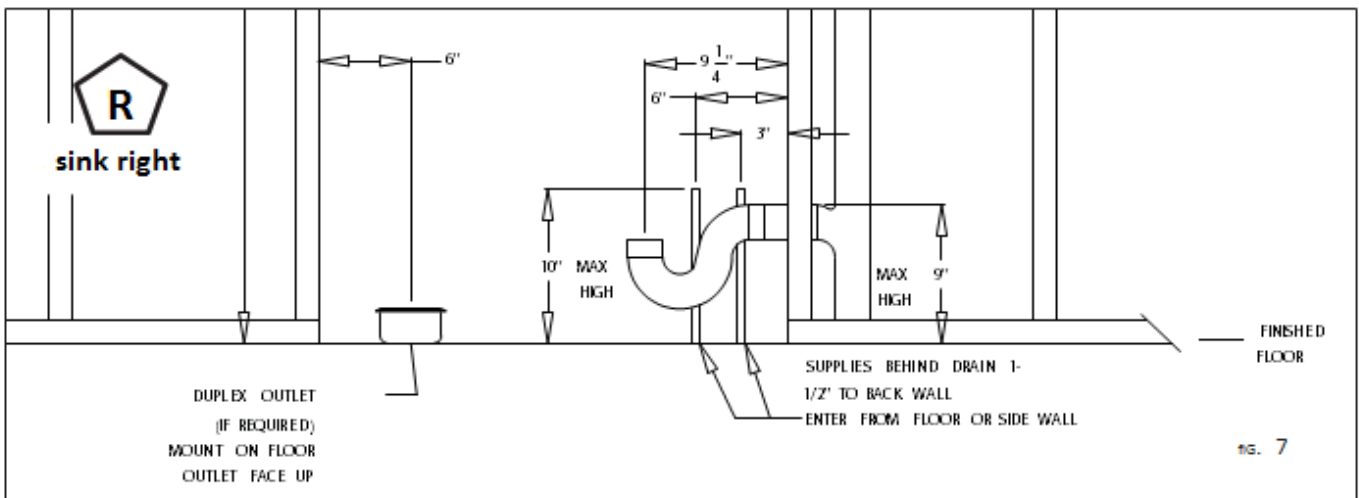
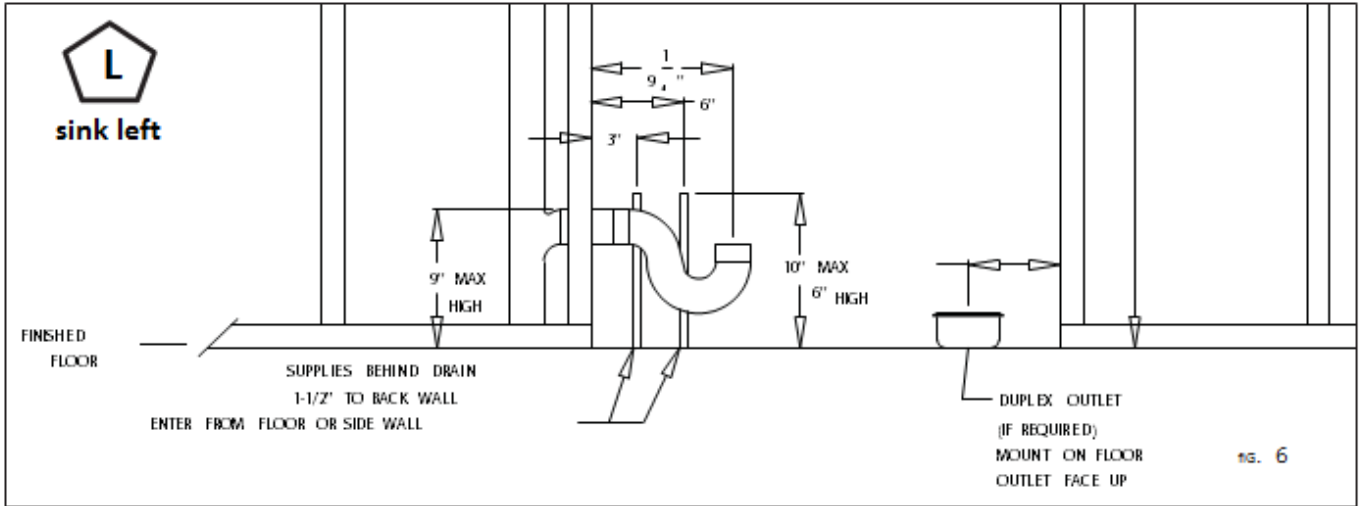


SECTION 3 – CONSTRUCTION SPECIFICATIONS & REQUIREMENTS

32” Comfort Plumbing Configurations

There are 2 basic plumbing configurations **L** or **R** for your new 32” Inwall™ Comfort Station or 32” Inwall™ Comfort Media. (sink on left or sink on right) If no sink, disregard.

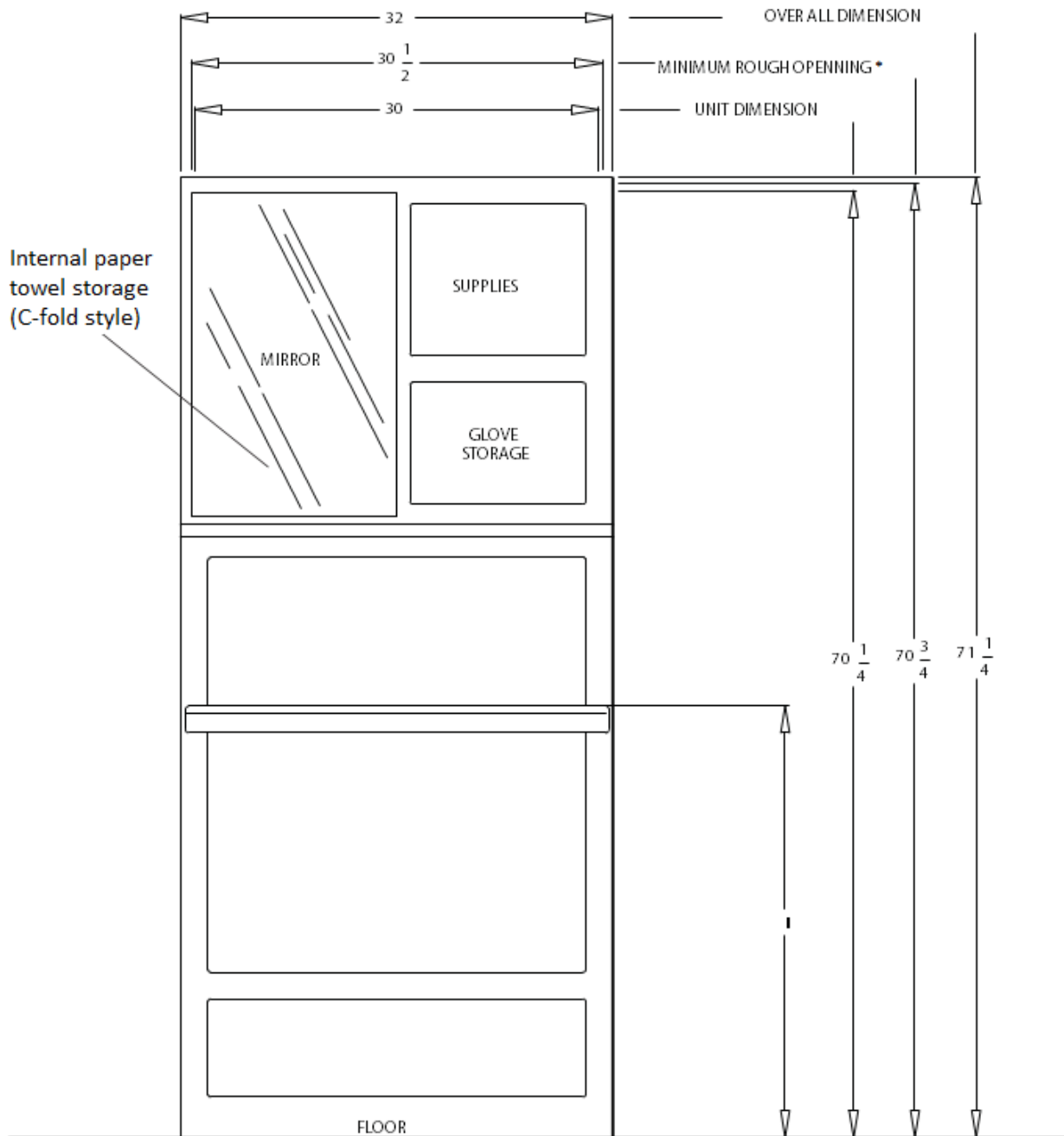
Please note the required plumbing configuration of figs 6-7.





SECTION 3 – CONSTRUCTION SPECIFICATIONS & REQUIREMENTS (cont'd)

For all 32" Inwalls™



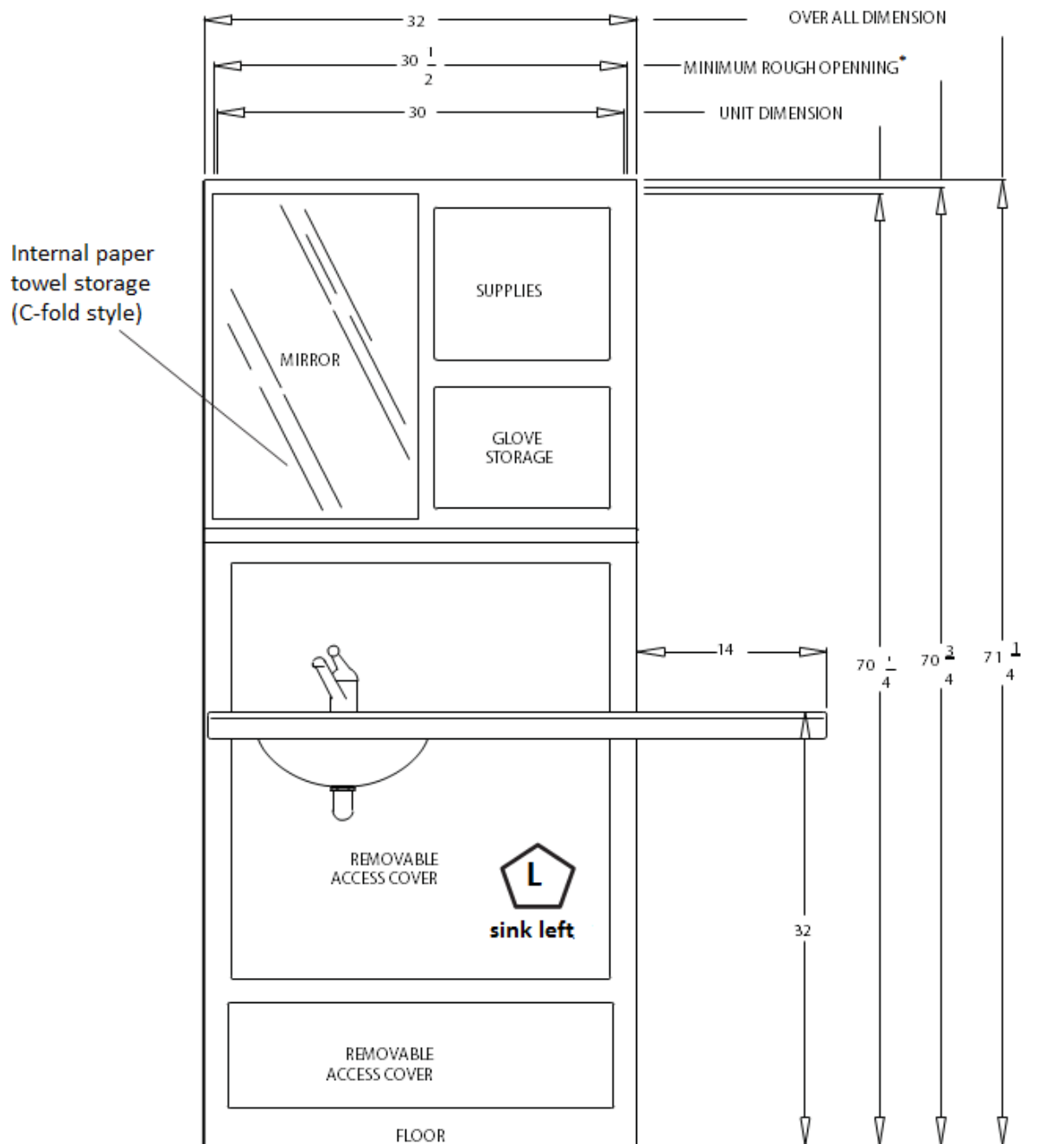
*Minimum wall cavity depth = 4"

FIG. 8



SECTION 3 – CONSTRUCTION SPECIFICATIONS & REQUIREMENTS (cont'd)

32" Inwall™ Comfort Station (Extended Left)



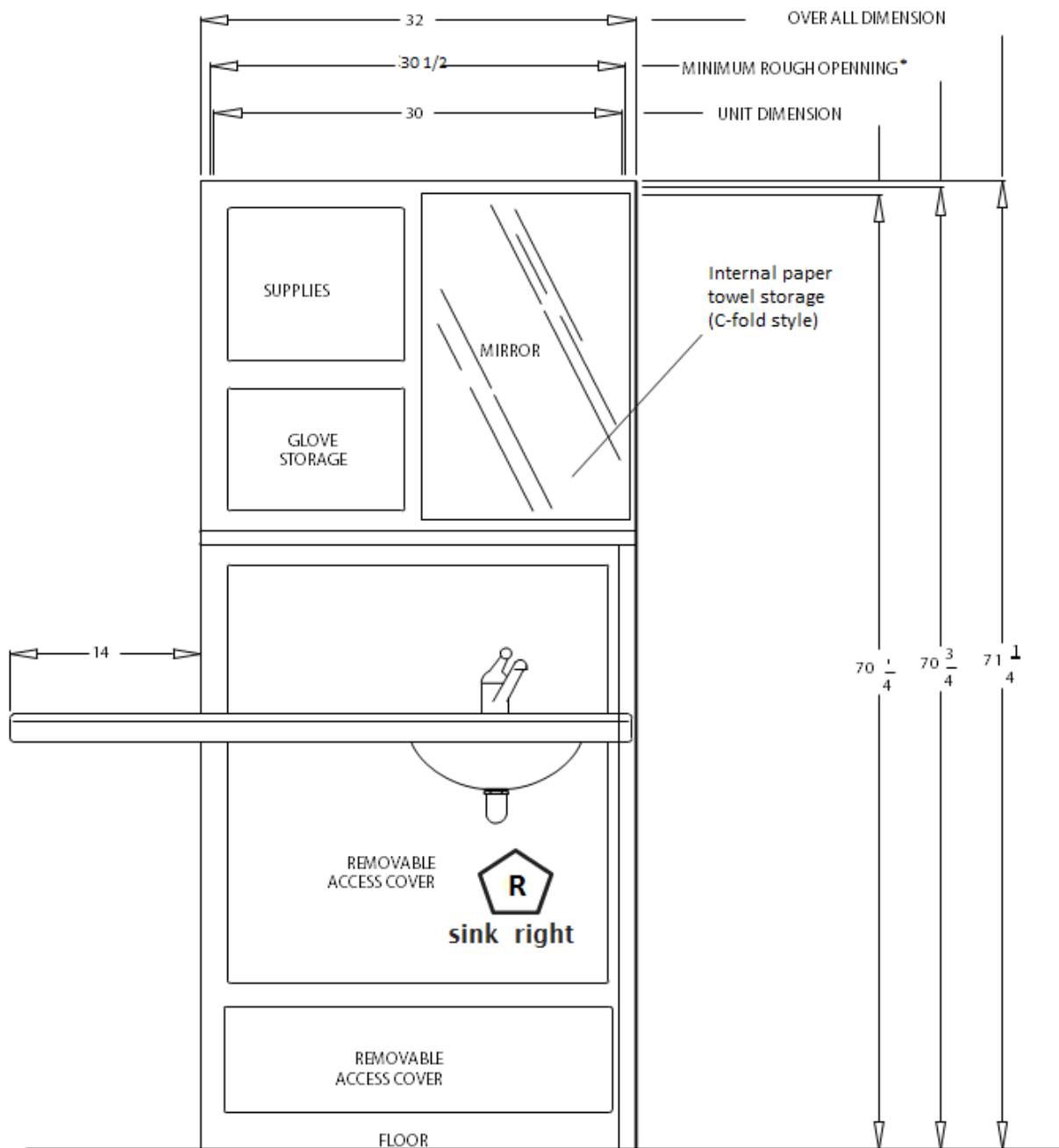
*Minimum wall cavity depth = 4"

FIG. 9



SECTION 3 – CONSTRUCTION SPECIFICATIONS & REQUIREMENTS (cont'd)

32" Inwall™ Comfort Station (Extended Right)



*Minumum wall cavity depth = 4"

FIG. 10

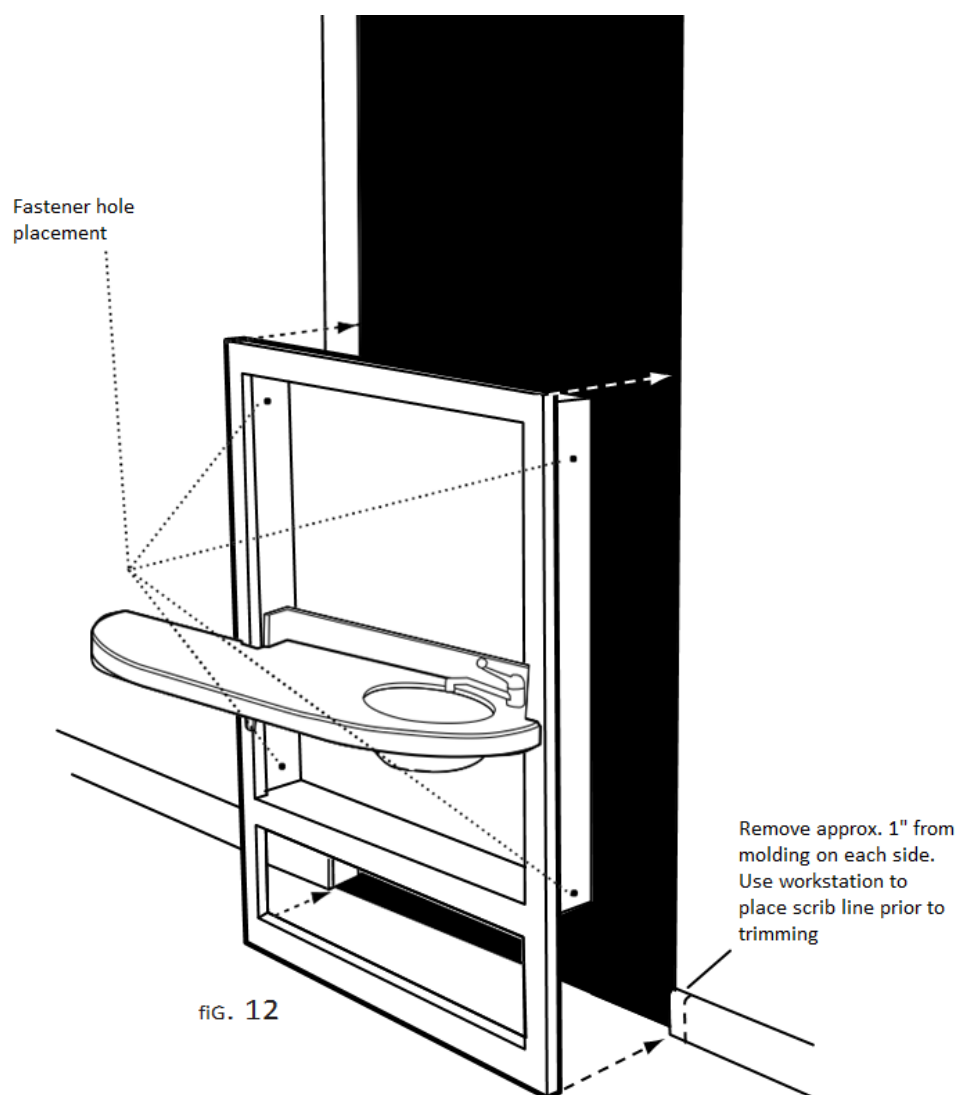


SECTION 4a – INSTALLATION OF 32” INWALL™ COMFORT STATION

Installing lower tier assembly

Position lower assembly so that bottom of face frame sits on the floor. If floor is not level or opening is not plumb, some shimming may be required.

1. Place lower assembly into cavity, make scribe lines for removal of base board molding around cavity to compensate for lower assembly.



2. Insert lower assembly into opening
3. Finish fastening lower assembly by fastening the four (4) #8 x2-1/2" flat-head screws using pre-drilled holes.



SECTION 4a – INSTALLATION OF 32” INWALL™ COMFORT STATION (cont’d)

Installing upper tier assembly

1. Install Upper Assembly, making sure it sits fully on lower section and tight against wall.
2. Secure same as Lower Assembly with 4 #8” x 2-1/2” flat-head screws, using pre-drilled holes.

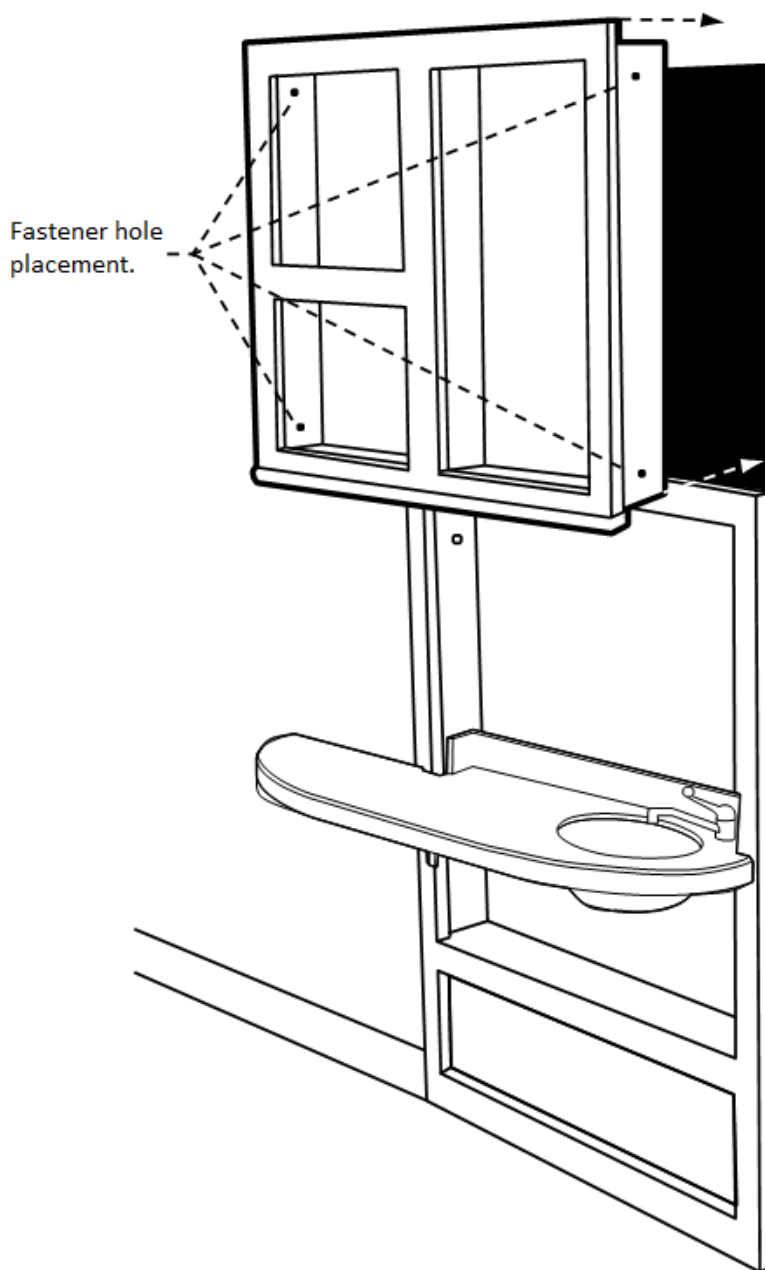


FIG. 13



SECTION 4c – INSTALLATION/REMOVAL OF 32” INWALL™ COVER PLATES

1. To install the Lower Access panel on all 32” Inwalls™: Insert the bottom edge of the Lower Access Panel (fig. 17) first and rotate upper edge of the Lower Access Panel into position. Reverse this process for the removal of the Lower Access Panel.

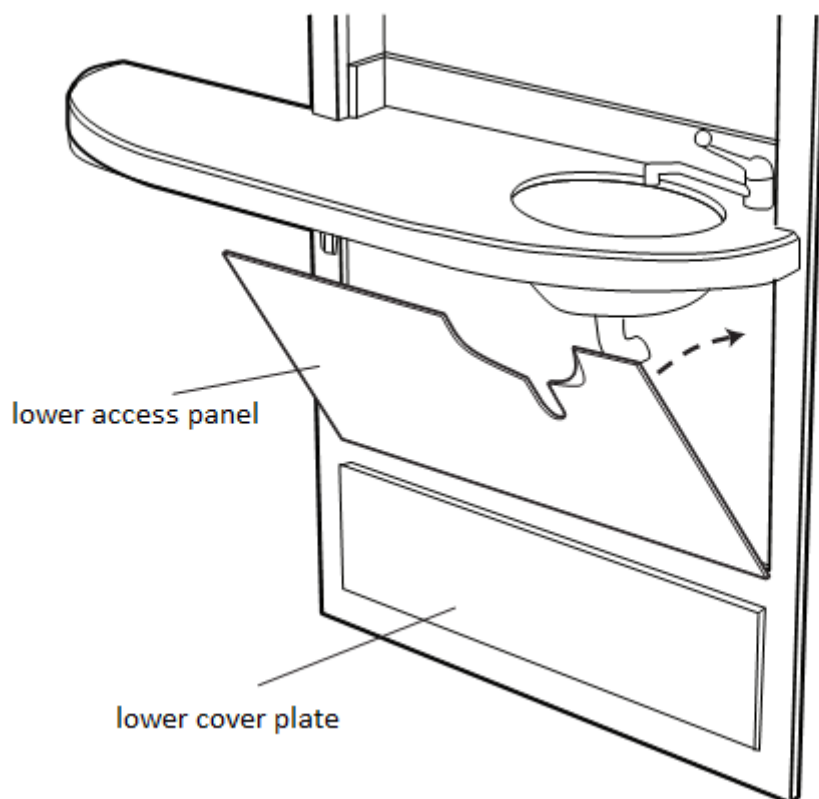


fig. 17

2. To install the lower cover plate on all 32” Inwalls™; Insert top of lower cover plate, lift and rotate into position and release. (See fig. 18)

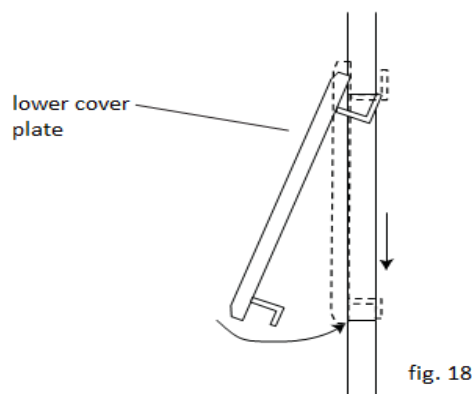


fig. 18



SECTION 5 – MAINTENANCE

Painted surfaces

PLEASE USE:

Mild detergent, damp cloth & dry thoroughly.

DO NOT USE:

Alcohol or solvent based
cleaners. ScotchBrite or other
abrasive pads.

Corian® surfaces

PLEASE USE:

Any commercial cleaners or disinfectants.

Only Corian® recommended abrasive cleaners.

http://www2.dupont.com/Surfaces/en_US/products/corian/corian_care.html

DO NOT USE:

ScotchBrite or other abrasive pads.