

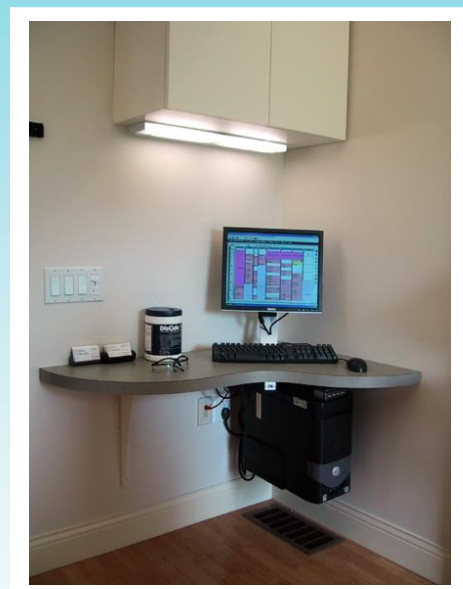


ergonomic products
Performance Without Compromise™

Assembly & Installation Guide

C1 & C2 Ergonomic Products 30" Resupply Cabinet®

For use with Sterilization and/or Hygiene Resupply Cabinets



198 Airport Rd. | Fall River, MA 02720

www.ergonomic-products.com 1-866-ERGO-4-US



QUESTIONS? Contact Customer Service At: 1-866-ERGO-4-US

For answers to your technical questions.

In the event you need to use our voice mail system, a technical service representative will return your call promptly.

INTRODUCTION

In this manual you will find complete installation instructions for your new Ergonomic Products 30” Resupply Cabinet®. There are five (5) major sections:

1. Receiving your Resupply Cabinet®
2. Tools needed for installation
3. Framing
4. Installation of 30” Resupply Cabinet®
5. Tilt Bin Assembly (For Resupply Cabinets® where this option has been chosen)

SECTION 1 – RECEIVING YOUR RESUPPLY CABINET®

Shipping Configuration

Your Resupply Cabinet® is carefully packaged at the factory for safe shipment. Inspect the shipping cartons immediately for evidence of in transit damage. If you see any indication of external damage, call us at the toll-free number listed above. This will simplify making a claim against the shipping company.

Unpacking

Open each shipping carton and carefully remove the contents. Remove all packaging material from the contents of the shipping cartons. Arrange the contents on a bench or table in preparation for the inspection described in the next section.

Inspection

After unpacking your Resupply Cabinet®, carefully check that the configuration/options for your product(s) are correct. If anything is damaged or missing, contact Ergonomic Products customer service at **1-866-ERGO-4-US**.

We make every effort to ensure that shipments are complete. However, if anything is missing, please call us immediately and we will send the item(s) out to you promptly.



SECTION 2 – TOOLS NEEDED FOR INSTALLATION

Description	Purpose
Utility Knife	For box and packing removal
Long Philips head screwdriver	For use only with tilt bin option
Electric drill and Assorted drill bits	
Countersink drill bit	
Six (6) #10 x 2. 1/2" flathead screws	We recommend us of square drive screws



SECTION 2 - FRAMING

During the framing process, a 2" x 6" or equivalent cabinet blocking should be installed at 55" above the finished floor and again 24" above the first blocking as shown in figure 1. This will provide necessary support of your Resupply Cabinet.

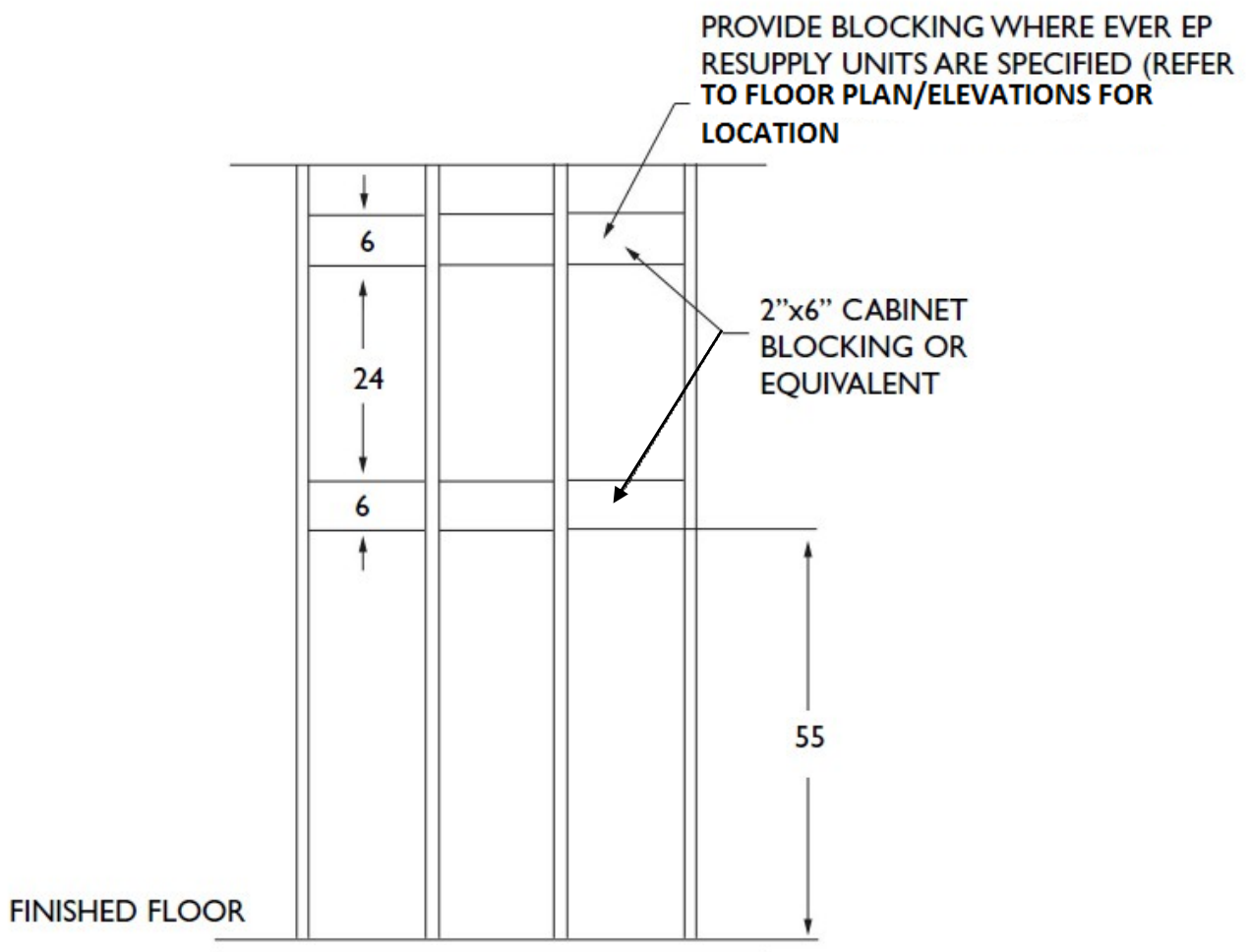


fig. 1

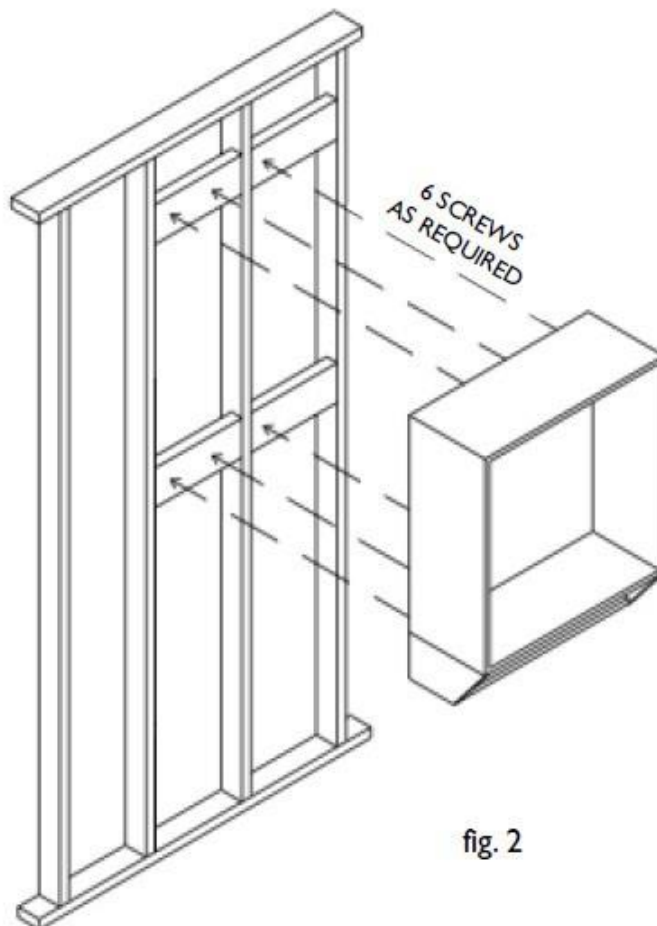


SECTION 3 - INSTALLATION OF RESUPPLY CABINET

Installation of your Resupply Cabinet requires only standard tools. This section includes illustrations to help you visualize the installation.

Installation of Resupply Cabinet

1. Position the bottom of the Resupply Cabinet 54" above the finished floor, where indicated on the elevation. This height is required for proper use of the pull-down fixture.
2. Be sure unit is level.
3. Secure the Resupply Cabinet using the six (6) #10 x 2 1/2" screws into the cabinet blocking through the cleats of cabinets, as shown in figure 2, with three (3) screws across the top and three (3) screws across the bottom.





Installation of Resupply Cabinet without cabinet blocking

Although it is our recommendation to install the Resupply Cabinet using the cabinet blockings for support of the cabinet, it is still possible to install the cabinet without them.

1. Position the bottom of the Resupply Cabinet 54" above the finished floor centering the cabinet horizontally over two (2) studs. May not allow for proper spacing.
2. Be sure unit is level.
3. Secure the Resupply Cabinet using the six (6) #10 x 21/2" screws into the studs with three (3) screws spaced evenly down the left side and three (3) screws spaced evenly down the right side.

SECTION 4 - TILT BIN ASSEMBLY - FOR USE ONLY WHEN THIS OPTION HAS BEEN CHOSEN

1. Remove tilt bins from frame.
2. Using supplied screws (four (4) #6 x 5/8" Philips-head screws), attach tilt bin frame to the bottom of cabinet into the pre-drilled holes, using a Philips-head screwdriver.
3. Replace tilt bins into frame.

