

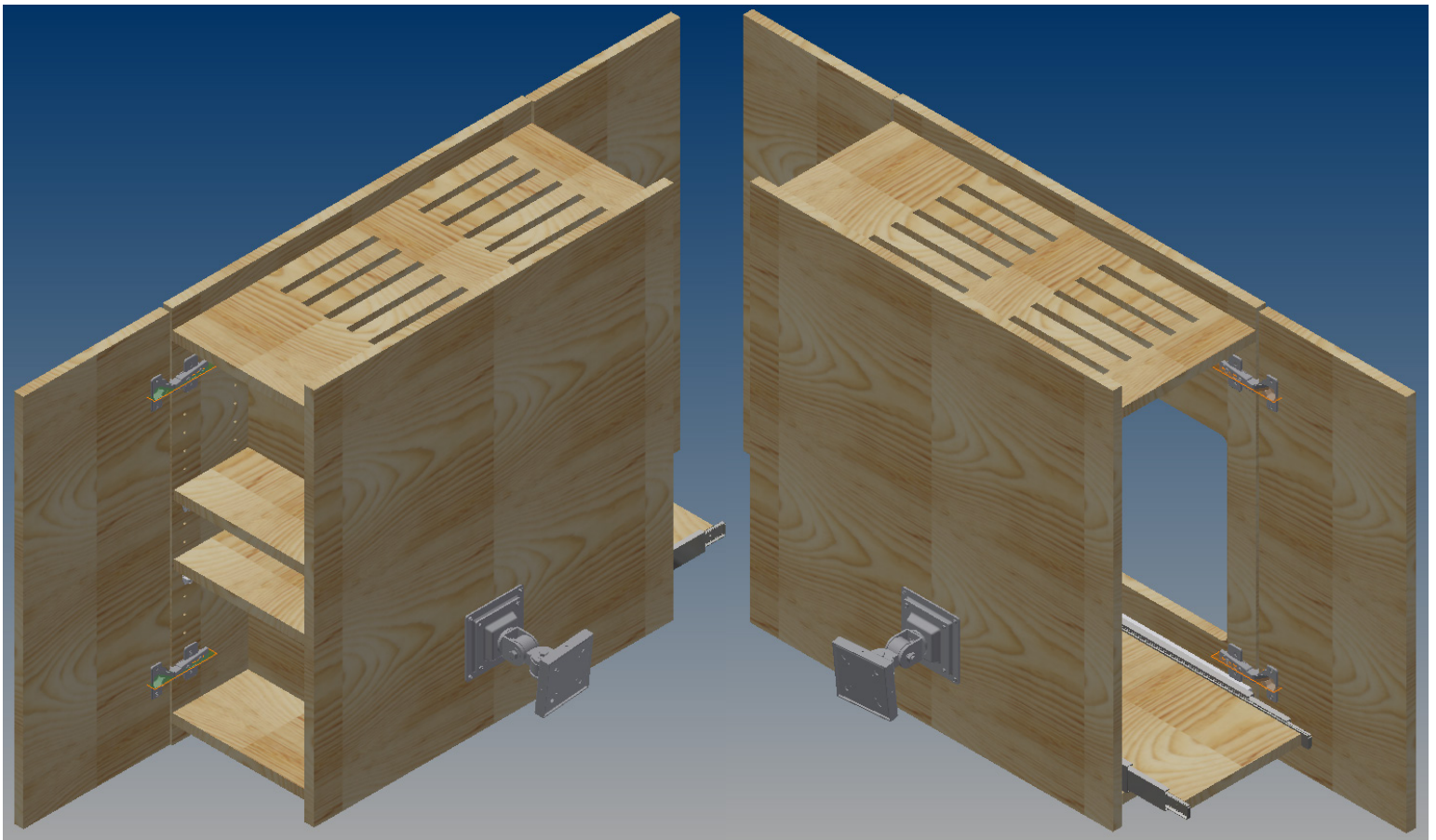


ergonomic products

Performance Without Compromise™

## Specification and Installation Guide

# C1B1 series: Computer & Storage Cabinet



Product ID: **C1B1**  
950-097 Manual version: Rev B



**Thank you** for purchasing the Ergonomic Products C3A Series Computer & Storage Cabinet.

Years of research by dentists, engineers and designers have made this a uniquely effective product in the industry. We stand behind our equipment, and genuinely believe it to be the best available on the market.

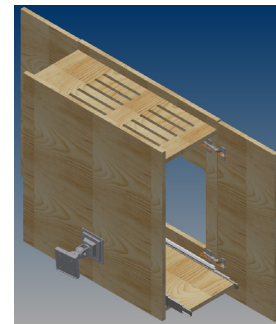
Should you have any questions regarding the product's installation or use, please don't hesitate to call our customer service specialists at **1-866-ERGO-4-US**. We may also be reached via email at **equip@ergonomic-products.com**.

We hope you enjoy the benefits and quality of your new equipment and look forward to handling your future needs as you and your practice continue to grow!

*- The Ergonomic Products Team*

**CONTENTS:**

1. Specifications .....	3
2. Required Tools / Unpacking and Installation.....	6
3. Installation .....	7
4. Maintenance.....	8
5. Warrenty Information .....	9



## QUESTIONS?

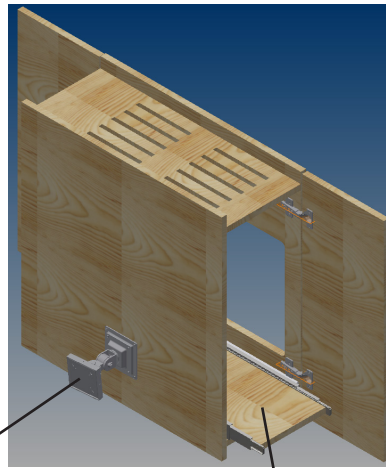
**Call our Customer Service Specialists at:  
1-866-ERGO-4-US.**



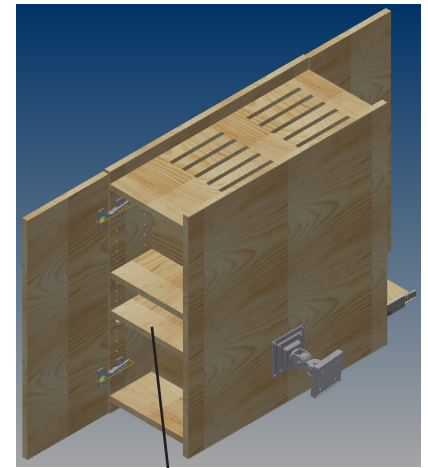
# 1 - SPECIFICATIONS

## STANDARD FEATURES

- 4.4 Cubic feet for storage, with access doors on each side.
- Full extension slide-out shelf for CPU (Right side of cabinet)
- Adjustable Shelves for bulk storage (Left side of cabinet)
- Monitor mounting bracket (Monitor not included)



MOUNTING BRACKET

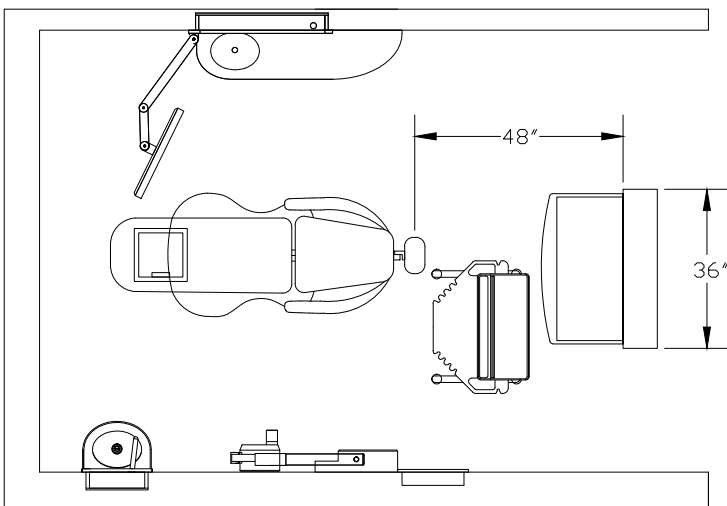


ADJUSTABLE SHELVES

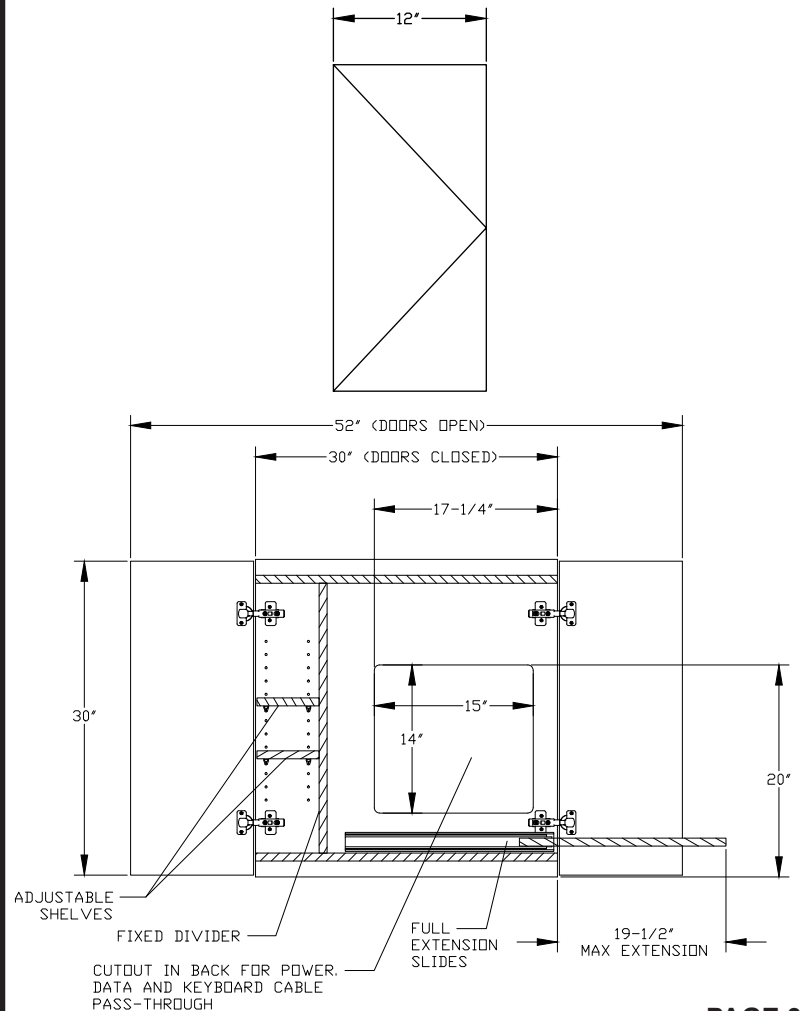
EXTENSION SLIDE

## IDEAL LOCATION CONFIGURATION

The Computer Storage Cabinet is most effective when used in dual / head-entry format. In conjunction with the Universal Wall Workcenter, this creates an ideal production zone that is both highly efficient - and out of the patients line-of-site on entry to the operatory.



## PRODUCT DIMENSIONS





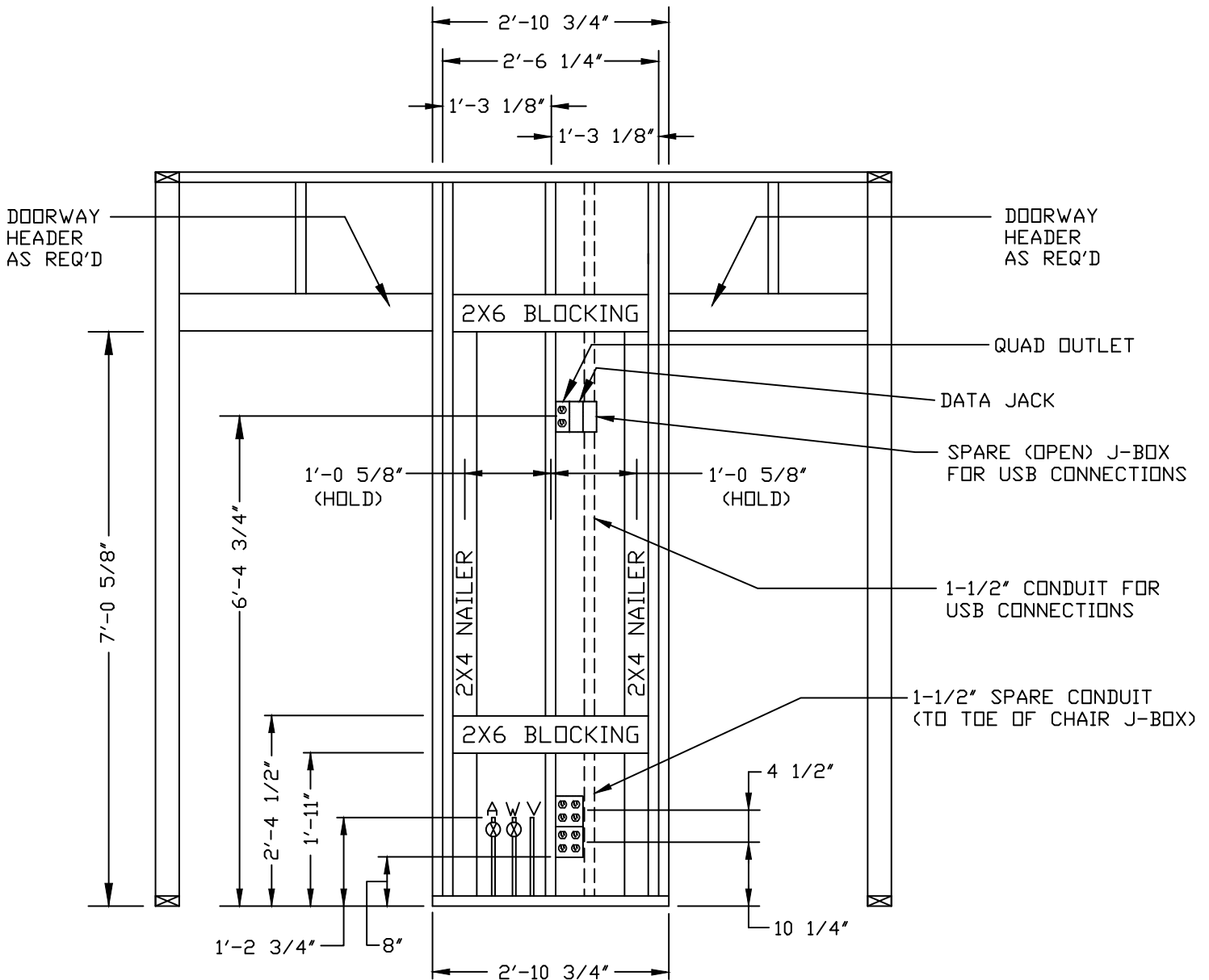
# 1 - SPECIFICATIONS CONT'D

## Site Planning (Blocking & Drywall Prep)

- Air and water can run overhead. Vacuum lines must run below the floor.
- Install straight stops on all domestic water lines.
- All framing must be backed with wood blocking when metal framing is used.

*Note: Appropriate blocking is mandatory. Serious injury may result from improper installation. Ergonomic products shall not be responsible for damages that may occur if cabinet is not installed according to these instructions.*

**BLOCKINGDIAGRAM**

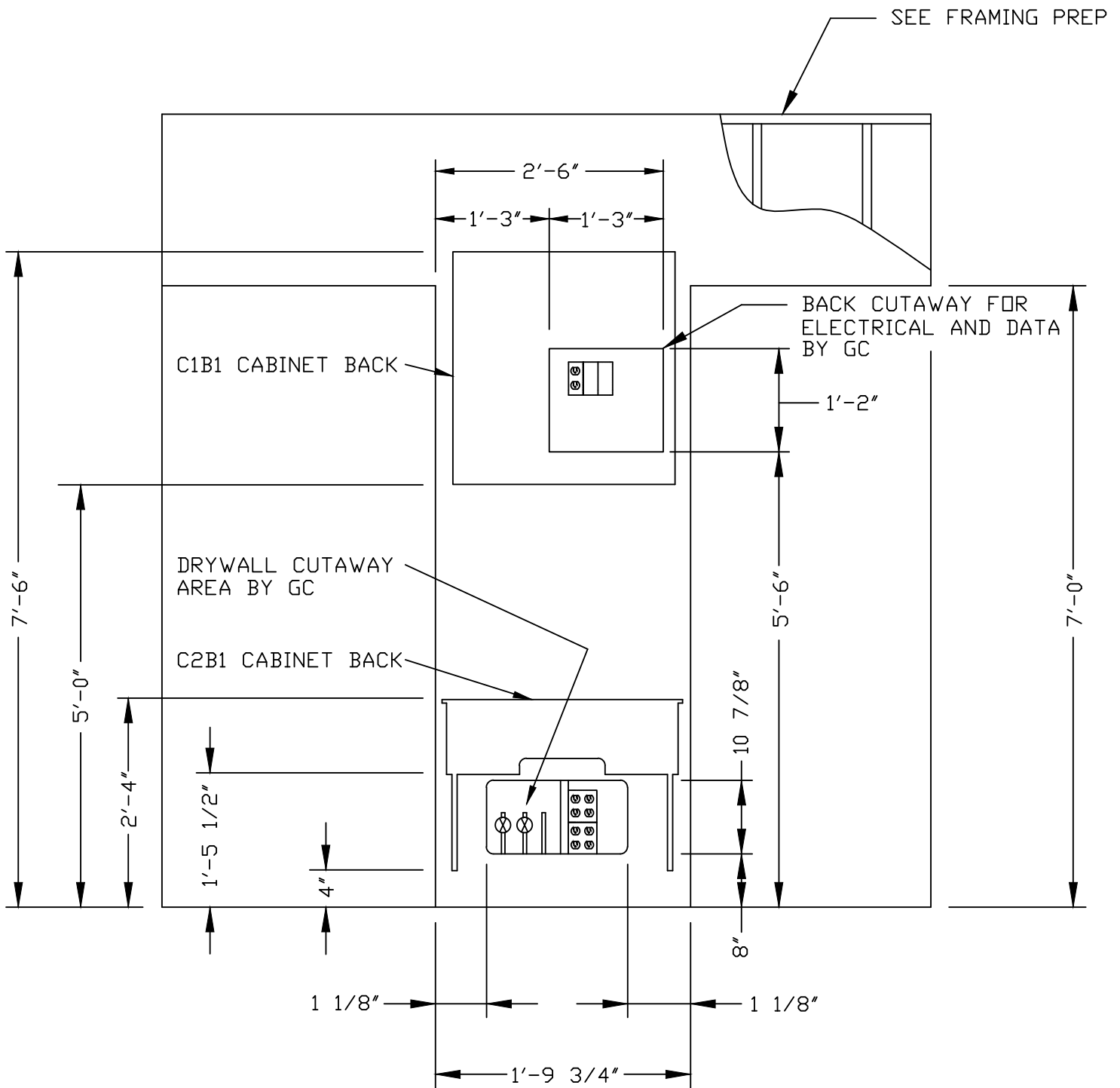




# 1 - SPECIFICATIONS CONT'D

## Site Planning (Blocking & Drywall Prep)

### DRYWALLPREP



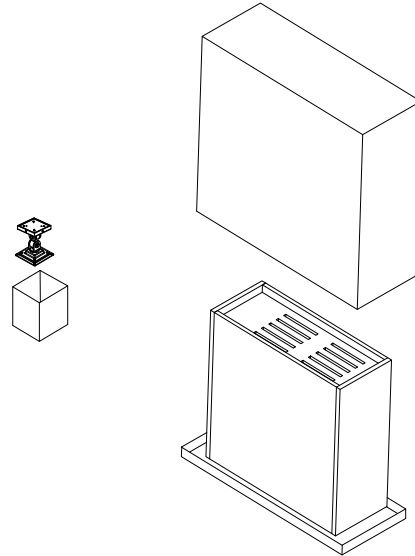


## 2 - REQUIRED TOOLS / UNPACKING and INSPECTING

### REQUIRED TOOLS

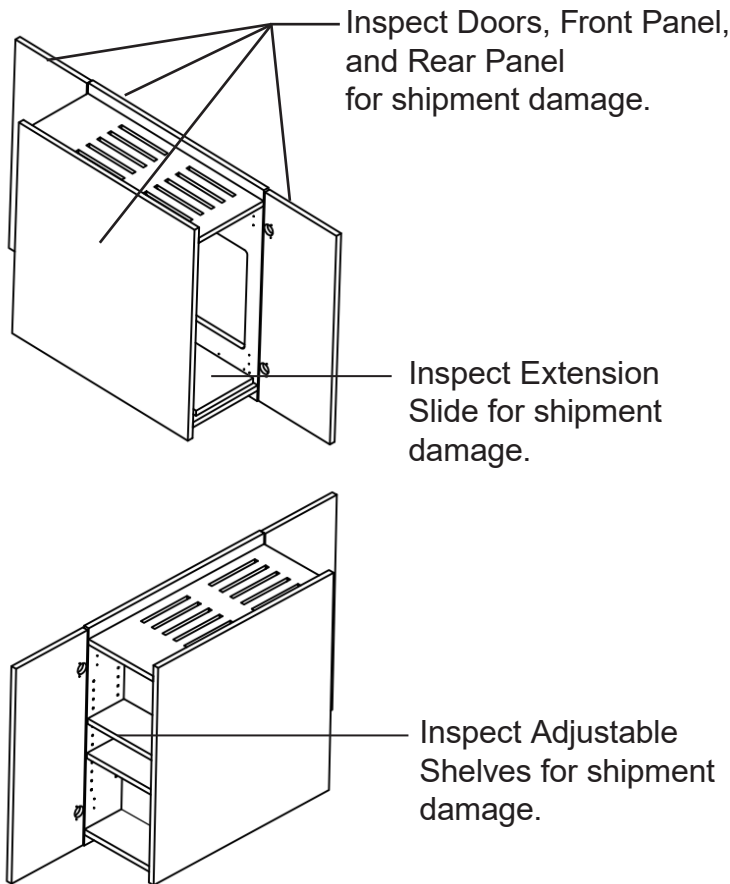
Utility Knife  
Philips head screwdriver  
Electric Drill and drill bits

1. Remove all packing material from box.
2. Use safe lifting procedures to carefully remove unit and place on clean surface near the installation site.



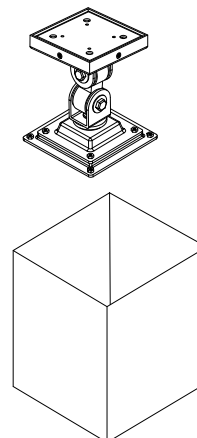
### PARTS LIST

Check that the configuration/options for your product(s) are correct. If anything is damaged or missing, please contact Ergonomic Products customer service at 1-866-ERGO-4-US.



The Computer & Storage Cabinet comes fully assembled.

### Monitor Mount

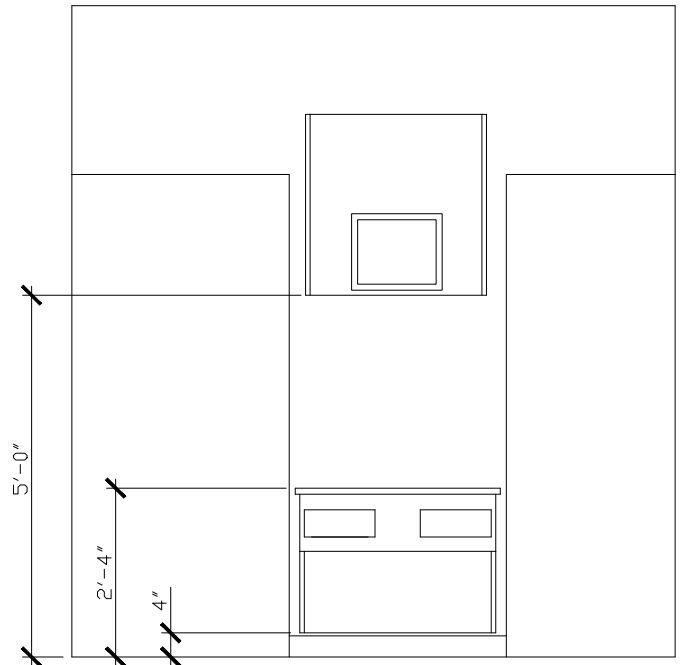
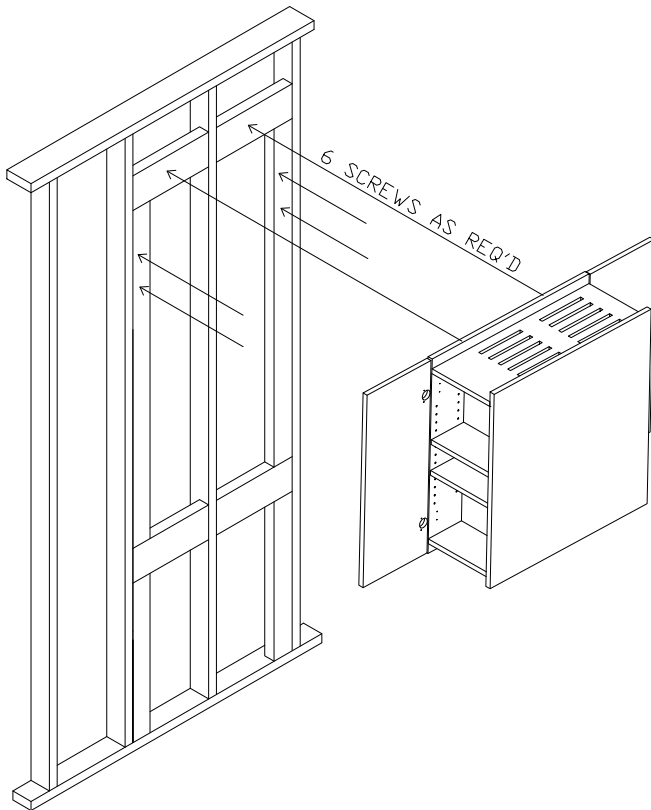




### 3 - INSTALLATION

#### Installation of C3 Computer Storage Cabinet

1. Position the bottom of the Computer Storage Cabinet 60" above the finished floor, where indicated in below elevation detail (see figure 1).
2. Make sure unit is level.
3. Secure the Computer Storage Cabinet using six (6) #10 x 2-1/2" screws through top and bottom overhand. If desired, additional screws may be placed inside the cabinet to provide additional support or to reach blocking.





## 4 - MAINTENANCE

### Cleaning instructions

#### Painted and Anodized Aluminum Surfaces

Clean with mild detergent, damp cloth and dry thoroughly after cleaning.

Do NOT use alcohol or solvent based cleaners, ScotchBrite or other abrasive pads.

#### CORIAN® Surfaces

Clean with warm, soapy water or any non-abrasive ammonia based cleaner or disinfectant. Dry thoroughly after cleaning. For tougher stains, use Clean EnCounters® from DuPont.

Do NOT use window-cleaning solutions (they will leave a waxy build-up), ScotchBrite or other abrasive pads.

For more information on cleaning CORIAN surfaces, go to:

<http://www.dupont.com/products-and-services/construction-materials/surface-design-materials/brands/corian-solid-surfaces/articles/how-to-clean-corian.html>