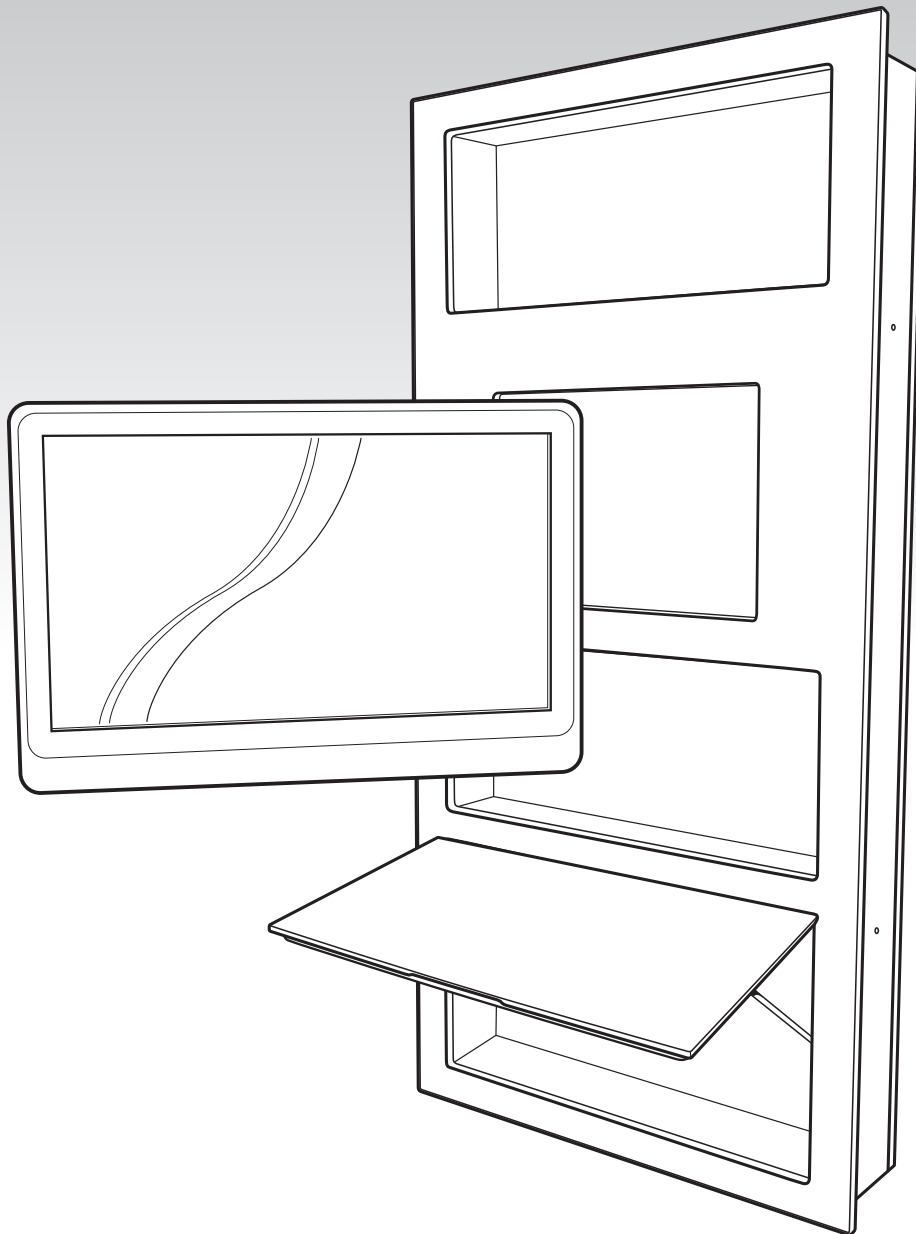




ergonomic products
Performance Without Compromise™

Specification and Installation Guide

24" INWALL™ MEDIA



Monitor not included

Product ID: **N2C**
950-092 Manual version: **C**



Thank you for purchasing the Ergonomic Products 24" Inwall™ Media.

Years of research by dentists, engineers and designers have made this a uniquely effective product in the industry. We stand behind our equipment, and genuinely believe it to be the best available on the market.

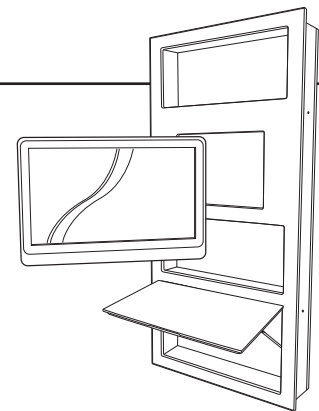
Should you have any questions regarding the product's installation or use, please don't hesitate to call our customer service specialists at **1-866-ERGO-4-US**. We may also be reached via email at **equip@ergonomic-products.com**.

We hope you enjoy the benefits and quality of your new equipment and look forward to handling your future needs as you and your practice continue to grow!

- The Ergonomic Products Team

CONTENTS:

1. Specifications and Site Planning	3
2. Required Tools / Unpacking & Inspecting / Parts List	5
3. Installation	6
4. Usage Notes	8
5. Maintenance	8

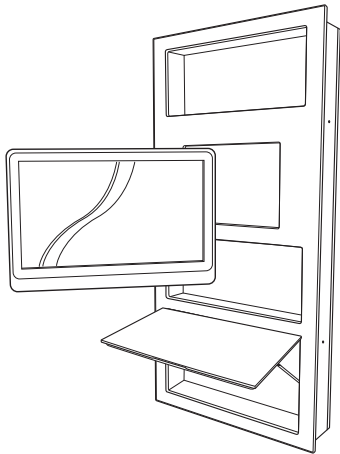


QUESTIONS?

**Call our Customer Service Specialists at:
1-866-ERGO-4-US.**



1 - SPECIFICATIONS and SITE PLANNING



USE & FEATURES

- **Inwall storage cabinet.**
Multiple storage bays provide ample room for gloves, masks, retail product and more.
- **Flip up keyboard/writing space.**
Large writing or keyboard surface can be lowered when not in use.
- **Digital Media Presentation.**
Improves patient communication for better case presentation and acceptance without leaving the operatory.

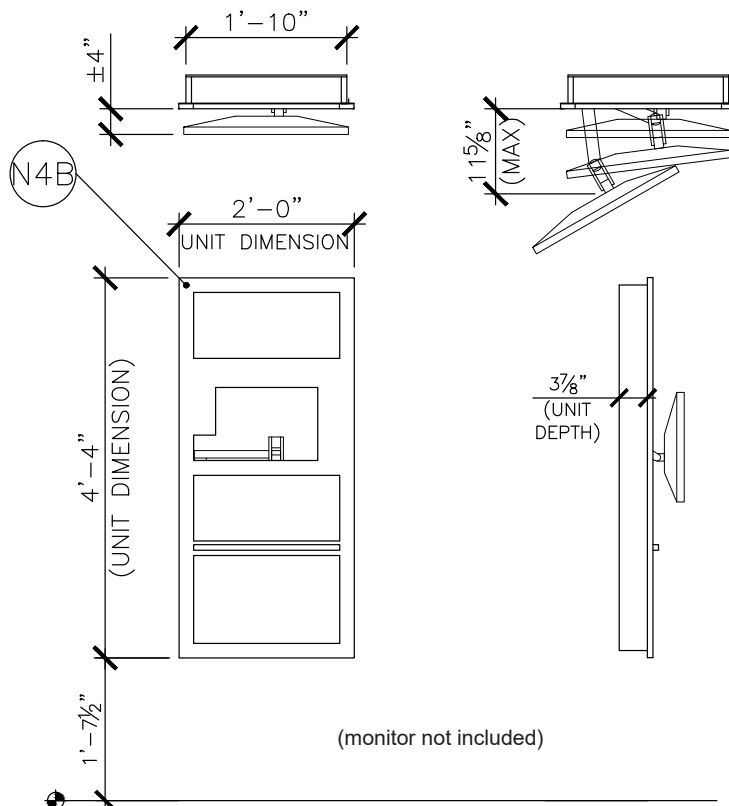
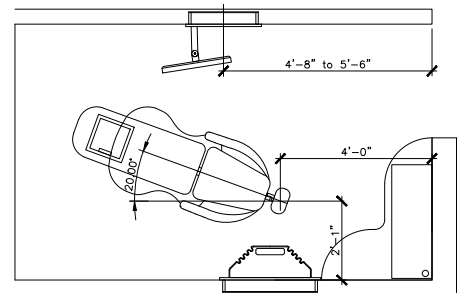
BASIC UTILITY REQUIREMENTS

- Electrical
- 120v feed (outlet)
 - Intra/Inter-net feed (data-port)

IDEAL LOCATION CONFIGURATION

Left-Mounted Media Arm, best suited for right-handed clinician rooms. Ideal for smaller rooms, including dedicated hygiene, where space is at a premium.

To maximize monitor arm geometry, the centerline of the 24" Media should be placed roughly 5' from the headwall (as shown). Positioning the unit within the dimensional tolerance indicated will allow maximum effect for patient presentation and treatment planning.



DIMENSIONS

NOTE: All Height Dimensions are referenced ABOVE the FINISHED FLOOR ("AFF").

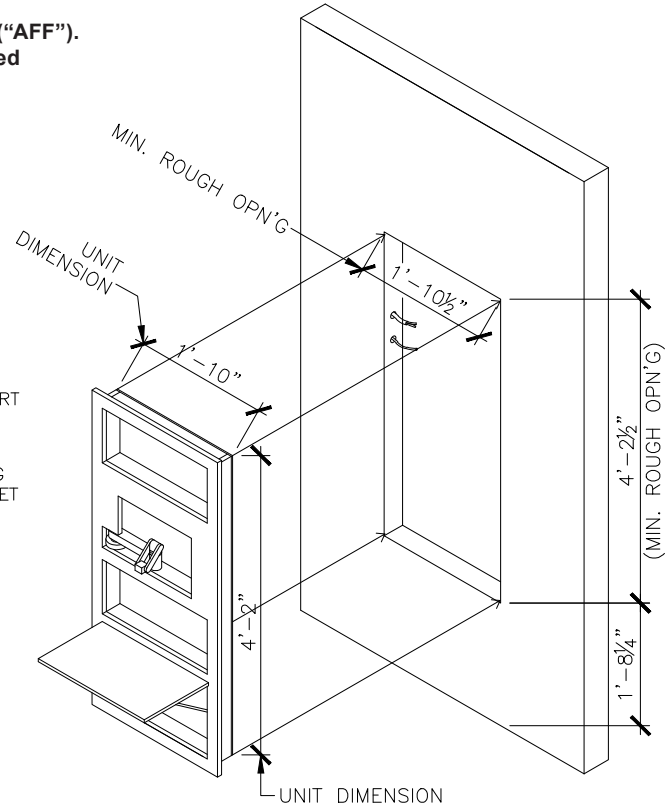
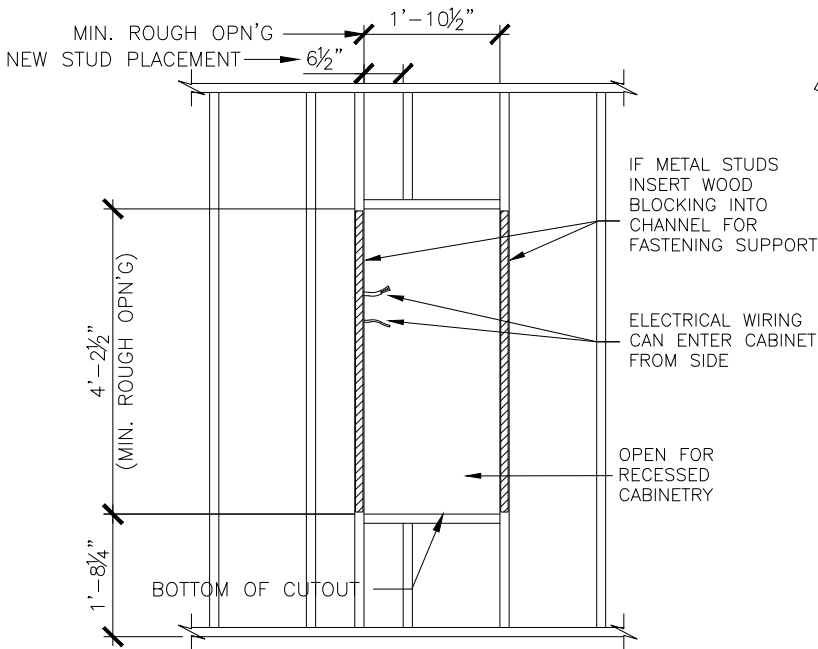
When planning the Rough Opening, it is critical to measure from the installed Finished Floor, or account for its eventual depth if it is not yet installed.



1 - SPECIFICATIONS and SITE PLANNING cont'd

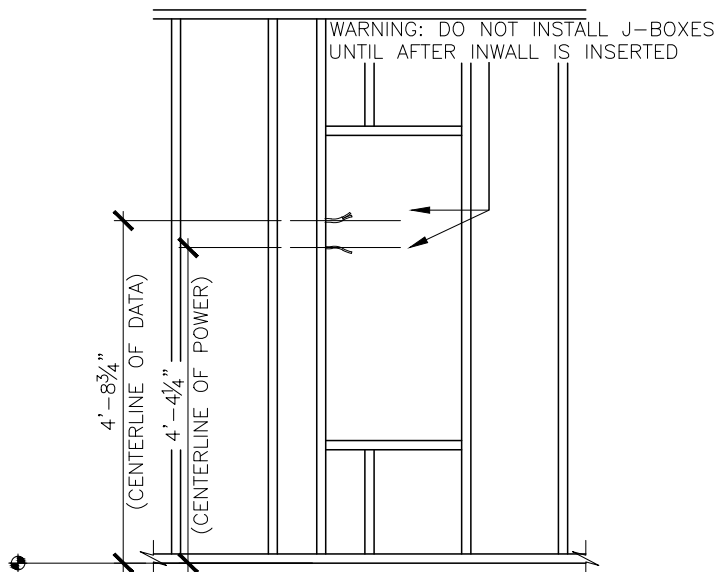
ROUGH OPENING

NOTE: All Height Dimensions are referenced ABOVE the FINISHED FLOOR ("AFF").
When planning the Rough Opening, it is critical to measure from the installed Finished Floor, or account for its eventual depth if it is not yet installed.



UTILITY SPECIFICATIONS AND DETAIL

NOTE: All Height Dimensions are referenced ABOVE the FINISHED FLOOR ("AFF")



Electrical Specifications

120v Duplex Outlet
(all-in-one computer or networked monitor)

Cat 5 (or better) Data Jack



Outlet box and data jack are to be mounted inside cabinet **after** installation.

Electrical and data pigtails should be long enough to easily feed through side of cabinet during installation (12"+).

Do not attach wiring to studs closer than 12" from holes to allow excess wire to be pushed back in the stud bay.



2 - REQUIRED TOOLS / UNPACKING and INSPECTING

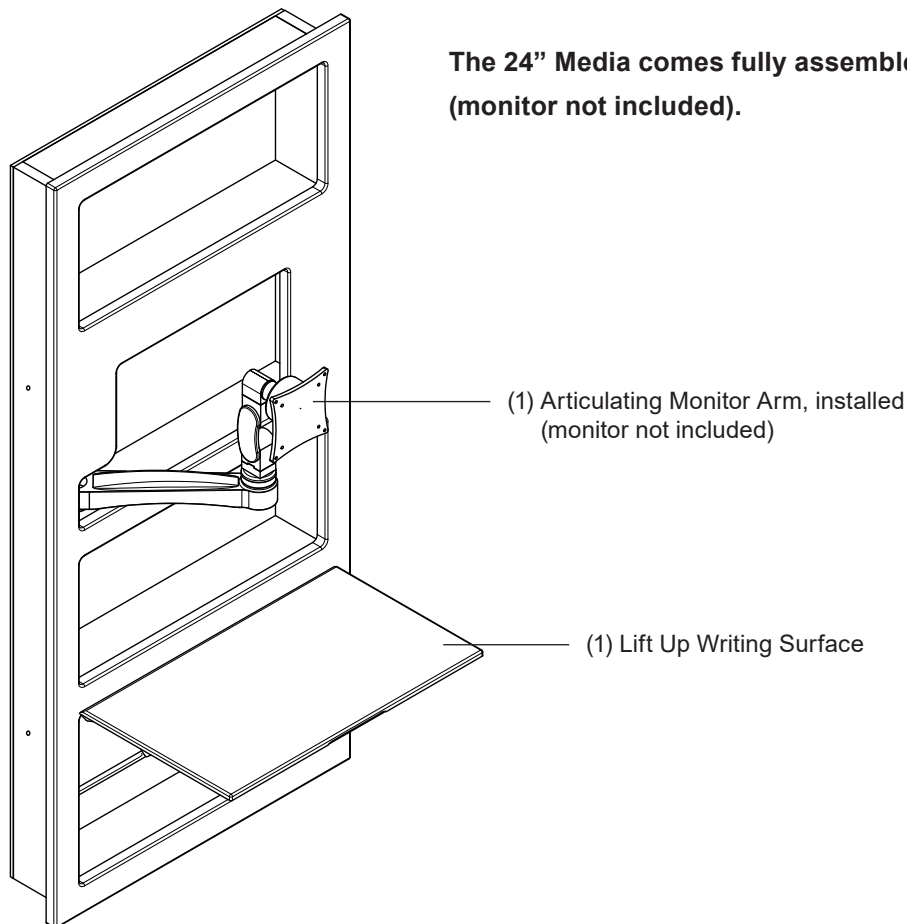
REQUIRED TOOLS

Phillips Head Screw Driver
Electric Drill
3/8" Drill Bit and Counter Sink
1-1/2" Hole Saw
Level

1. Remove monitor arm information guide, and all packing material from box.
2. Use safe lifting procedures to carefully remove unit and place on clean surface near the installation site.

PARTS LIST

Check that the configuration/options for your product(s) are correct. If anything is damaged or missing, please contact Ergonomic Products customer service at 1-866-ERGO-4-US.

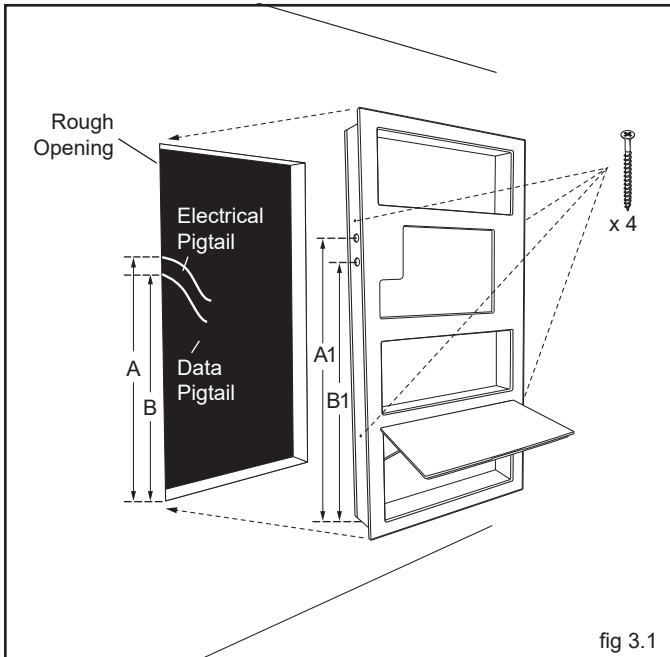




3 - INSTALLATION



IMPORTANT! Consult the specifications on page 4 to confirm the on-site accuracy and conformance of Rough Opening and Electrical Stubbing. Wiring Pig-Tails must be of sufficient length to allow feeding through hole to be drilled on cabinet side (on-site).



STEP 1 - PREPARE WIRING PASS-THROUGH IN CABINET

1. Prior to positioning unit, confirm accurate center point location of the electrical and data pigtails as they pass through left-side stud ("A" and "B", fig. 3.1). This should be 36-3/4" (electrical) and 32" (data) from the top of the lower RO frame, with an allowable tolerance of 1/4".
2. Translate these measurements to the left side of the cabinet ("A1" and "B1", fig 3.1)
3. Using a 1-1/2" hole saw, drill two holes in the cabinet side on these center-points to allow pass-through of pigtailed wiring.

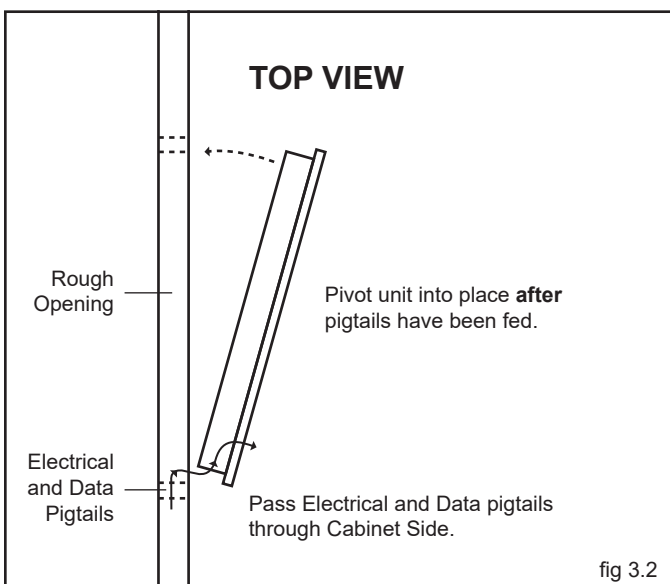
STEP 2 - INSTALL CABINET

1. Before inserting unit, counter-sink the four pre-drilled mounting holes on cabinet sides.
2. Position unit IN FRONT of rough opening.
3. Starting on the left, feed electrical and data pigtails through drilled 1-1/2" holes. Ease left side of unit into place, then pivot right side into RO until unit is flush to the wall (fig. 3.2).
4. While holding unit flush to wall, check that it is level. If it is not, slightly raise one side until plumb.
5. While keeping unit flush against the wall, secure raised side to studs through pre-drilled mounting holes using two flat head screws*.
6. Secure other side with remaining two screws*.

*Suggested screw size #8 2-1/2" flat head screw

STEP 3 - INSTALL ELECTRICAL AND DATA PORTS

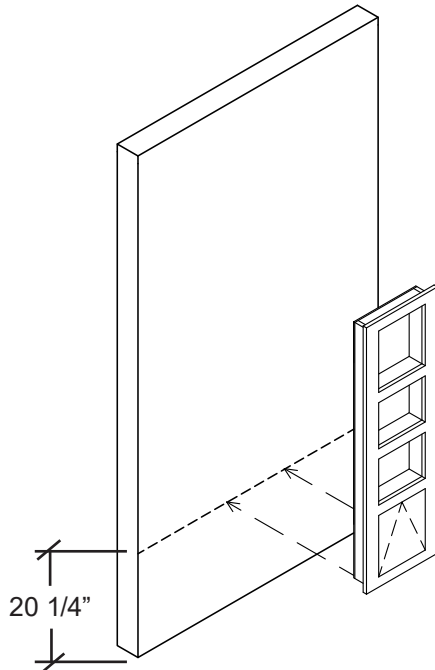
1. Have a licensed tradesman make final electrical and data connections.
2. Mount electrical box and data port inside the cabinet on the left-side wall of the monitor arm bay (behind the face frame). Wires should enter through the back of the boxes, and the boxes should be positioned to cover the pass-through holes.
3. Feed monitor power and data lines as desired. See Monitor Arm instructions included with your unit.



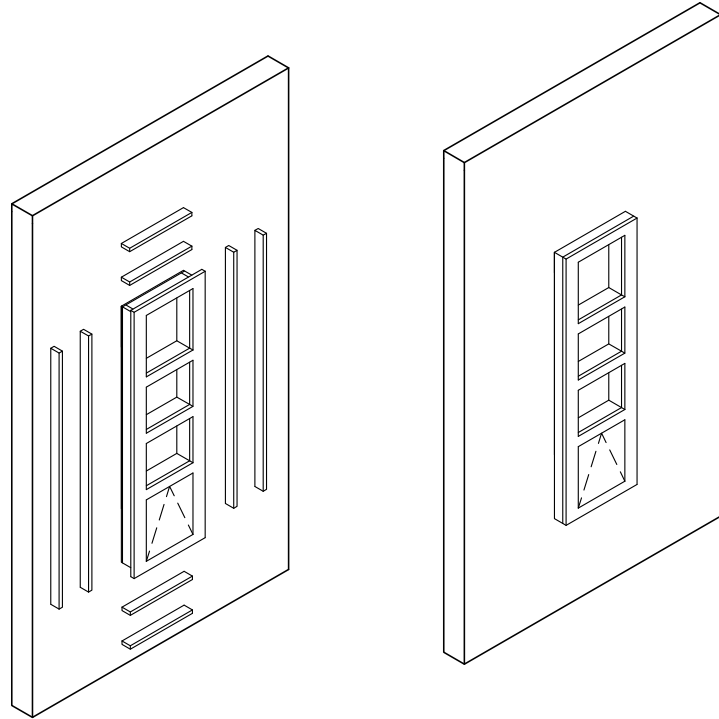


3 - INSTALLATION CONT'D

SURFACE MOUNTED *OPTION*



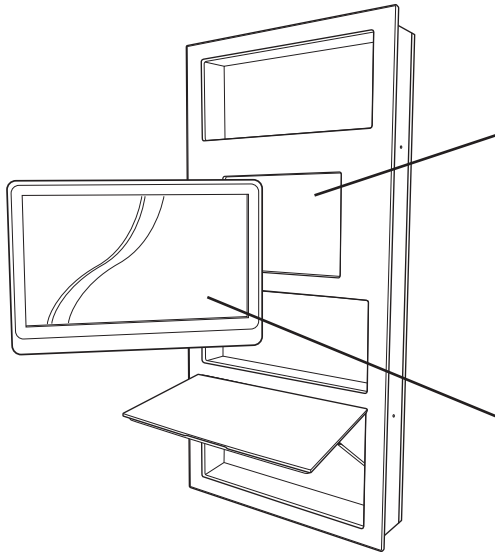
Place the inwall 20 1/4" above the finish floor, and fasten to wall through the back. (Block as needed by others)



Surface mounting kit comes with (4) 1/4" spacers and (4) 3/4" spacers. Place the 1/4" Spacers on the outside of the frame first and secure to the frame. Stack on top of the 1/4" spacers the 3/4" spacers and secure to the frame. Surface mounting is complete.



4 - USAGE NOTES



The 24" Media offers ample storage in the top and bottom two bays. However, the second bay from the top is dedicated to housing the monitor arm.

DO NOT STORE ITEMS IN THIS BAY, as they may be damaged when returning the monitor to a recessed position.



The Monitor Mount for the 24" Media is rated for monitors up to 100 VESA. Use of larger and/or heavier monitors may impact performance or damage the product, voiding the warranty.

5 - MAINTENANCE

Cleaning instructions

Painted Surfaces

Clean with mild detergent, damp cloth and dry thoroughly after cleaning.
Do NOT use alcohol or solvent based cleaners, ScotchBrite or other abrasive pads.