

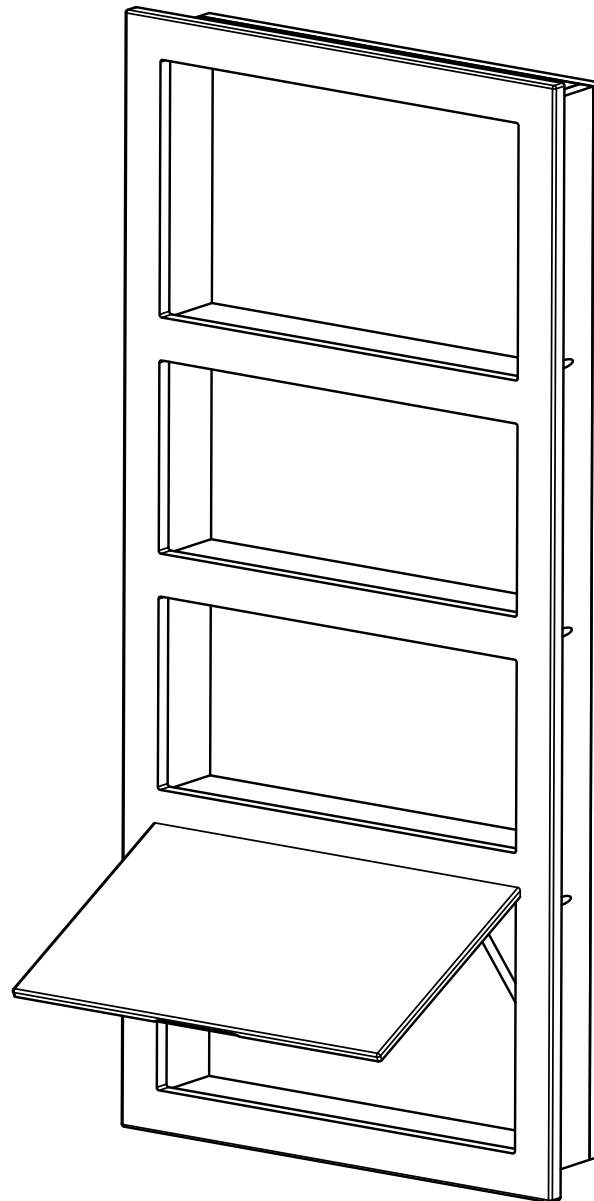


ergonomic products

Performance Without Compromise™

INSTALLATION AND OPERATIONS MANUAL

24" InWall™ Storage



Product ID: **N2B**

950-091 Manual: **C**



Thank you for purchasing the Ergonomic Products 24" InWall™ Storage Cabinet.

Years of research by dentists, engineers, and designers have made this a uniquely effective product in the industry. We stand behind our equipment, and genuinely believe it to be the best available on the market.

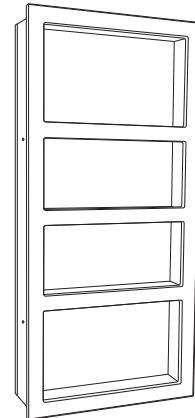
Should you have any questions regarding the product's installation or use, please don't hesitate to call our customer service specialists at **1-866-ERGO-4-US**. We may also be reached via email at **equip@ergonomic-products.com**.

We hope that you enjoy the benefits and quality of your new equipment and look forward to assisting you with your future needs as your practice continues to grow!

—The Ergonomic Products Team

CONTENTS:

1. Required Tools / Unpacking and Inspecting.....	3
2. Specifications and Site Planning.....	4
3. Installation.....	6
4. Maintenance.....	6



QUESTIONS?

**Call our Customer Service Specialists at:
1-866-ERGO-4-US**



1 – REQUIRED TOOLS / UNPACKING AND INSPECTING

REQUIRED TOOLS:

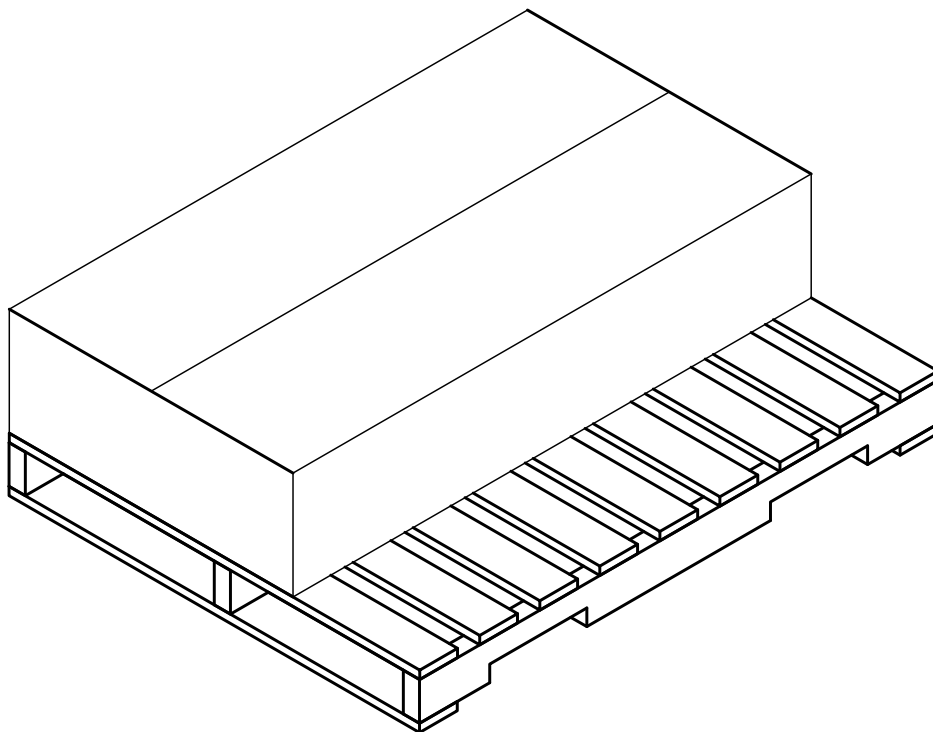
Electric Drill w/ impact bits
Utility Knife
Level
(4) #8 x 2-1/2" construction screws

1. Inspect shipping container for visible damage upon arrival. If transit damage is found, contact Ergonomic Products immediately (this will expedite the corrective process).
2. Use safe lifting procedures to free the product from the container, and remove all packing material and accessory boxes from shipping container.
3. Lay individual components on clean surface to avoid scratching, and inspect contents. If damage is found, contact Ergonomic Products immediately.

The 24" Inwall Storage Unit comes fully assembled, including any purchased options such as a lift-up writing surface, med-waste flip-out, or chart/paper-towel holders.

These options do not affect installation.

Suggested screw size for mounting the unit to the blocking is (4) #8 - 2 1/2" flat head screws.





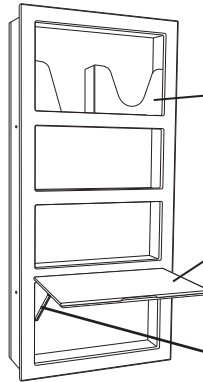
2 – SPECIFICATIONS AND SITE PLANNING

The Inwall storage cabinet is designed to hold standard dental glove and mask boxes

CONFIRM OPTIONS:

This product is available with a variety of options, listed right. Please confirm the accuracy of product received prior to installation.

Note: Site planning and installation are identical for all currently available options and combinations.



AVAILABLE OPTIONS:

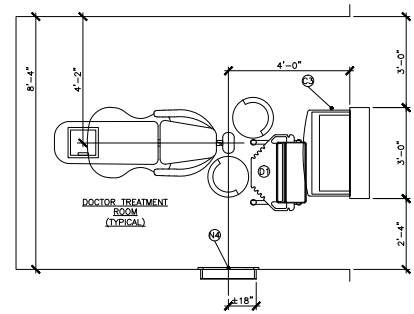
- Paper Towel Holder (shown) and/or Patient Chart Holder (shown)
- Lift-up Writing Surface (shown) or Med-waste Flip-Out

Note: To close swing door, depress on this spring

IDEAL LOCATION CONFIGURATION:

The primary location for 24" Inwall Storage units is in the operator, on the right-hand side of the headwall. Placing the centerline of the unit directly in line with the head of the patient chair typically provides the assistant with the greatest access.

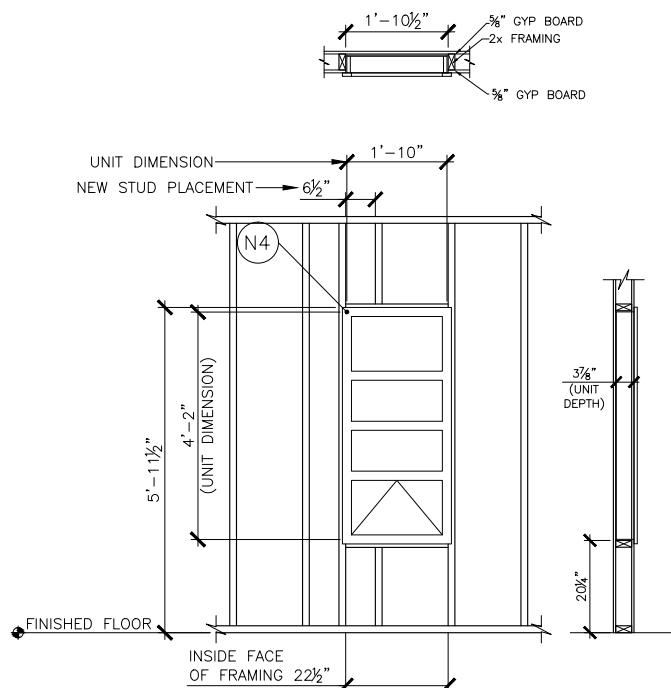
However, these units are very versatile and can be extremely useful in many areas of the practice, including multiple locations within a single operator.



DIMENSIONS:

NOTE: All Height Dimensions are referenced ABOVE the FINISHED FLOOR ("AFF").

When planning the Rough Opening, it is critical to measure from the installed Finished Floor, or account for its eventual depth if it is not yet installed.



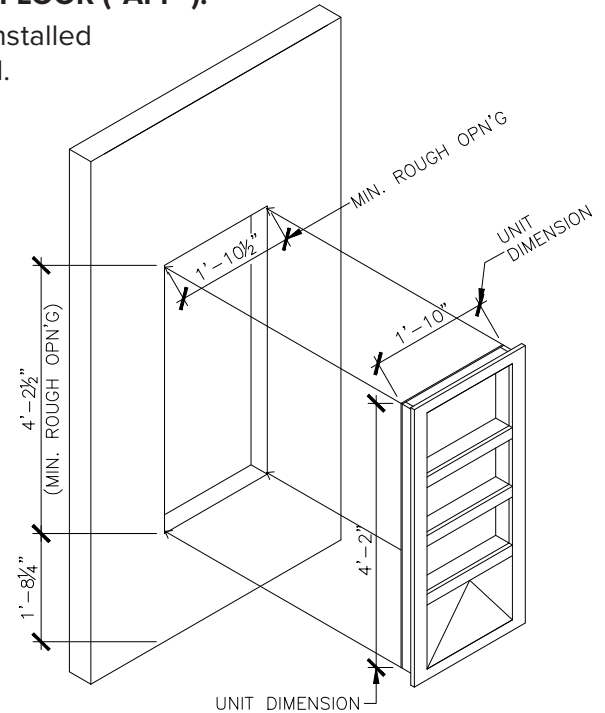
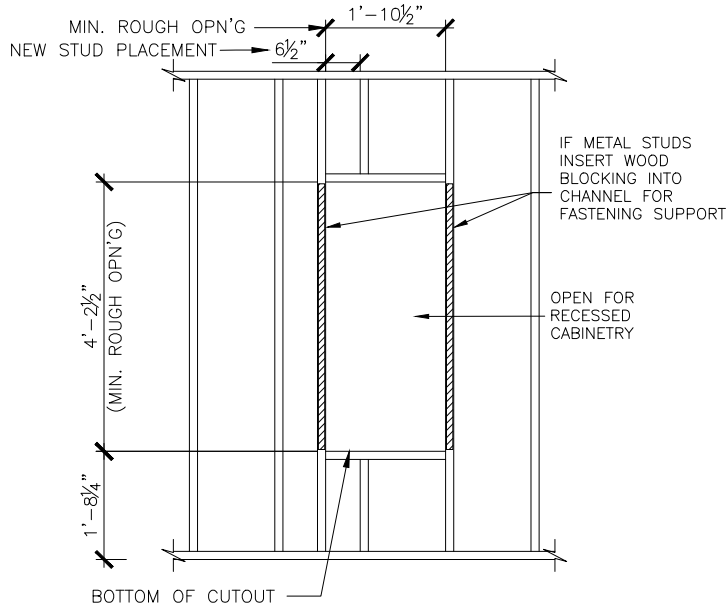


2 – SPECIFICATIONS AND SITE PLANNING cont'd

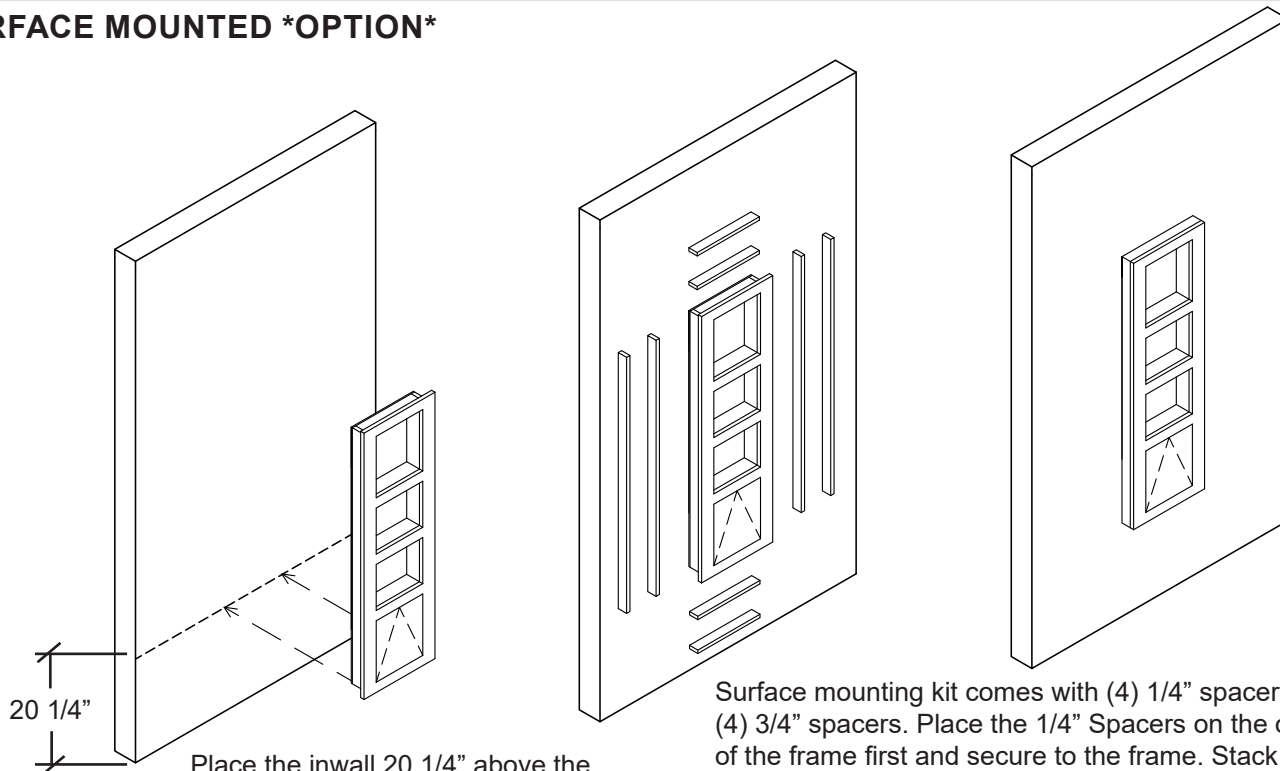
ROUGH OPENING:

NOTE: All Height Dimensions are referenced ABOVE the FINISHED FLOOR ("AFF").

When planning the Rough Opening, it is critical to measure from the installed Finished Floor, or account for its eventual depth if it is not yet installed.



SURFACE MOUNTED *OPTION*



Place the inwall 20 1/4" above the finish floor, and fasten to wall through the back. (Block as needed by others)

Surface mounting kit comes with (4) 1/4" spacers and (4) 3/4" spacers. Place the 1/4" Spacers on the outside of the frame first and secure to the frame. Stack on top of the 1/4" spacers the 3/4" spacers and secure to the frame. Surface mounting is complete.



3 – INSTALLATION

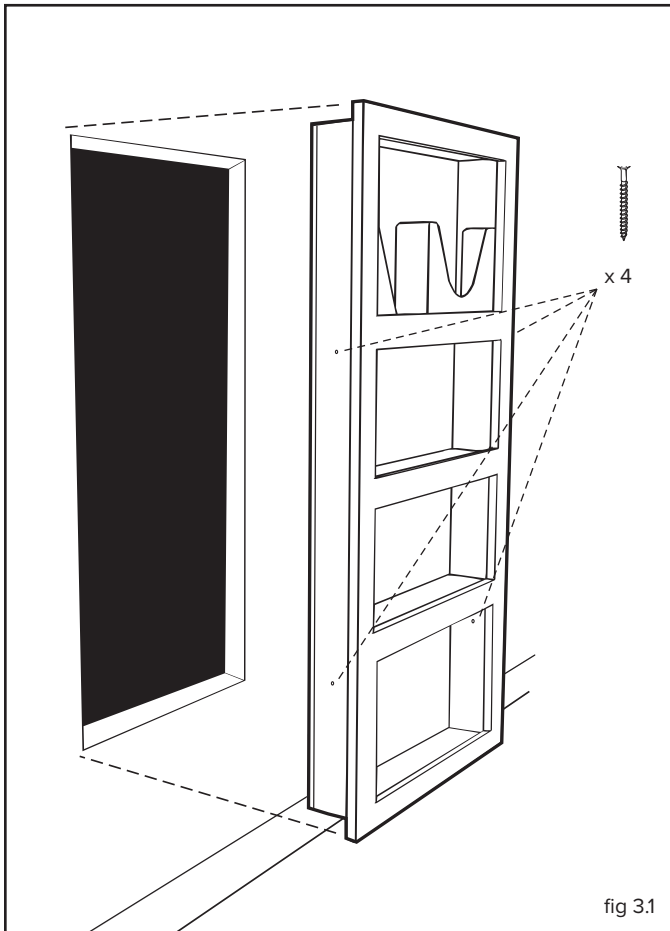


fig 3.1

1. Dry-fit unit in rough opening to confirm face is evenly flush against wall. If large gaps are present, mark area and cut down wall surface to remove high spots on wall board.
2. When surface has been adequately prepared, insert unit into rough opening for final installation.
3. While holding unit flush to wall, check that it is level. If it is not, slightly raise one side until unit is plumb.
4. While keeping unit flush against the wall, secure raised side to studs with two flat head screws*.
5. Secure other side with remaining two screws*.

* **Suggested screw size: #8 - 2 1/2" flat head.**

4 – MAINTENANCE

CLEANING:

PAINTED SURFACES:

Clean with mild detergent, damp cloth and dry thoroughly after cleaning.

Do NOT use alcohol or solvent based cleaners, ScotchBrite or other abrasive pads.