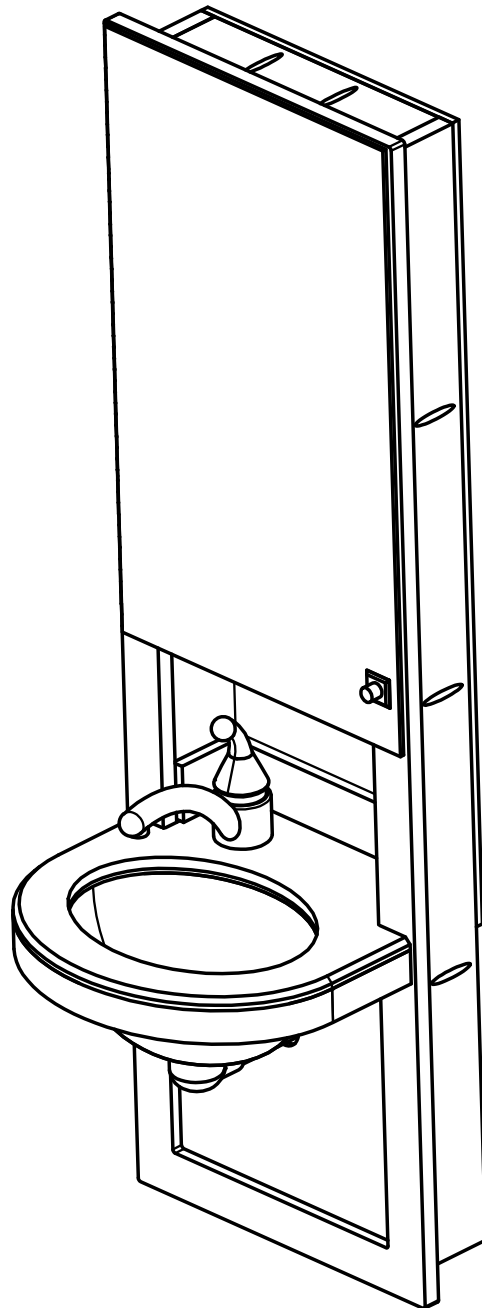




ergonomic products
Performance Without Compromise™

Specification and Installation Guide

N1A series: 16" InWall Comfort Station



Product ID: **N1A**
950-089 Manual version: **D**



Thank you for purchasing the Ergonomic Products N1A Series 16" InWall Comfort Station.

Years of research by dentists, engineers and designers have made this a uniquely effective product in the industry. We stand behind our equipment, and genuinely believe it to be the best available on the market.

Should you have any questions regarding the product's installation or use, please don't hesitate to call our customer service specialists at **1-866-ERGO-4-US**. We may also be reached via email at **equip@ergonomic-products.com**.

We hope you enjoy the benefits and quality of your new equipment and look forward to handling your future needs as you and your practice continue to grow!

CONTENTS:

1. Specifications	3
2. Required Tools / Unpacking and Installation.....	5
3. Installation	6
4. Maintenance.....	7



QUESTIONS?

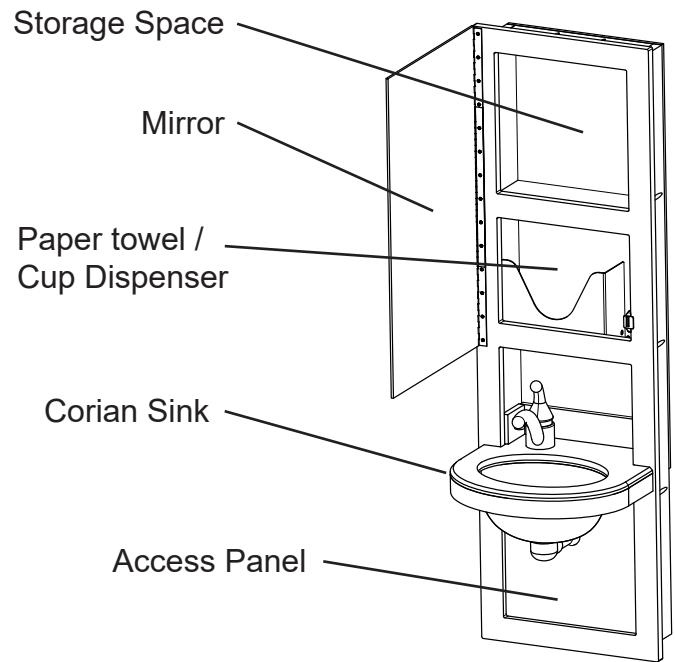
Call our Customer Service Specialists at:
1-866-ERGO-4-US.



1 - SPECIFICATIONS

STANDARD FEATURES

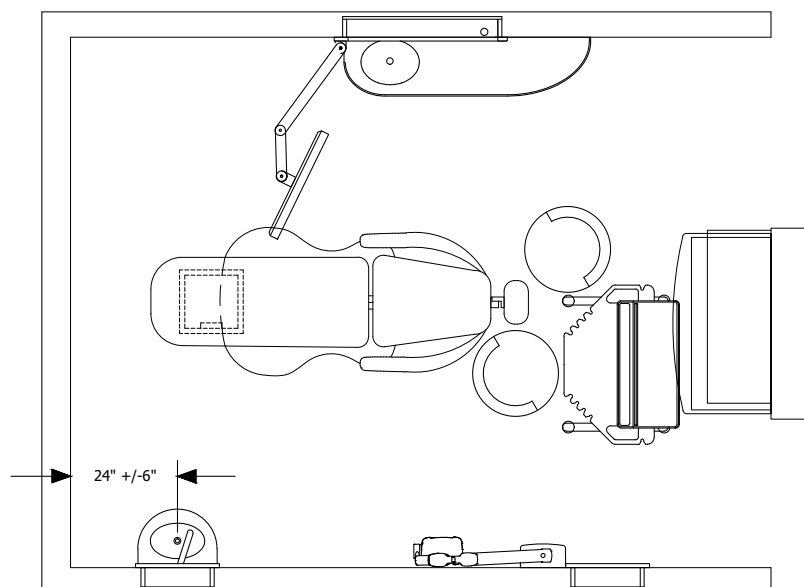
- Large, hinged mirror covers InWall storage.
- Impact resistant, seamless face-frame
- Chrome faucet
- Brushed stainless under-mount sink
- Beveled Corian counter
- Corian backsplash
- Utility access panel
- Recessed paper towel and cup dispenser (behind mirror)



IDEAL LOCATION CONFIGURATION

The primary location for 16" Comfort Station units is in the operatory, on the right-hand side of the headwall. Roughly 2' from the toe-wall.

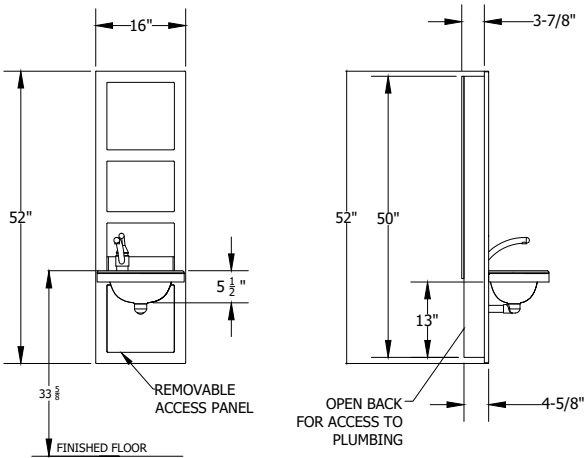
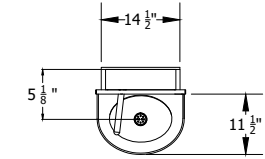
However, their compact size make these unites very versatile allowing placment in diffrent locations within the operatory (plumbing dependent).





1 - SPECIFICATIONS CONT'D

Product Dimensions



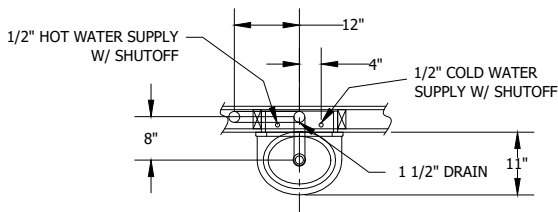
PLUMBING SPECIFICATIONS

Unit is supplied with Delta 570 Single Lever Faucet and 1-1/4" 90 degree Tail-piece.

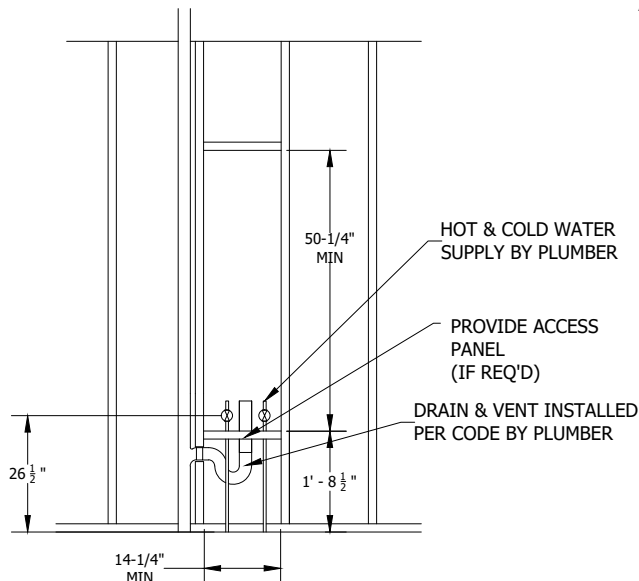
Plumber To Provide:

- 1/2" Hot and Cold domestic supply lines with straight 1/4 turn-stop and 3/8" compression
- 1-1/2" DWV with P-Trap as shown

Site Planning



Note: All height dimensions are referenced ABOVE the FINISHED FLOOR ("AFF").



When planning the rough opening, it is critical to measure from the installed Finished Floor, or account for its eventual depth if it is not yet installed.

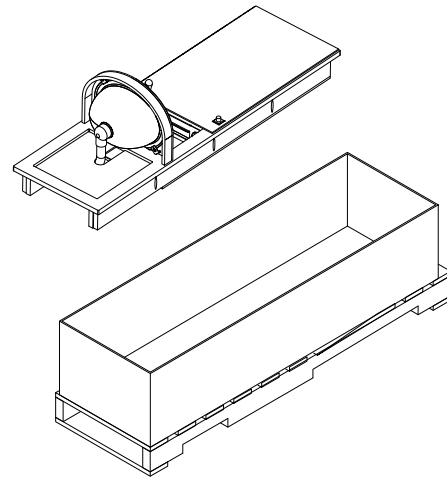


2 - REQUIRED TOOLS / UNPACKING and INSPECTING

REQUIRED TOOLS

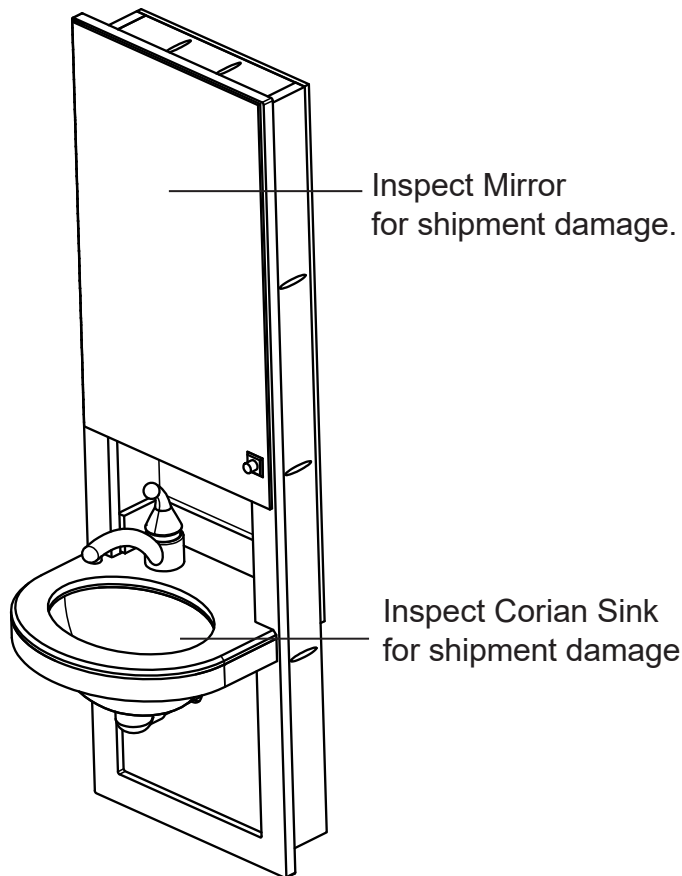
Phillips Head Screw Driver
Electric Drill
3/8" Drill Bit and Counter Sink
Level

1. Remove packing material from box.
2. Use safe lifting procedures to carefully remove unit and place on clean surface near the installation site.



PARTS LIST

Check that the configuration/options for your product(s) are correct. If anything is damaged or missing, please contact Ergonomic Products customer service at 1-866-ERGO-4-US.



The 16" Inwall Storage Unit comes fully assembled, including Corian Sink and paper-towel / cup holder.

These options do not affect installation.



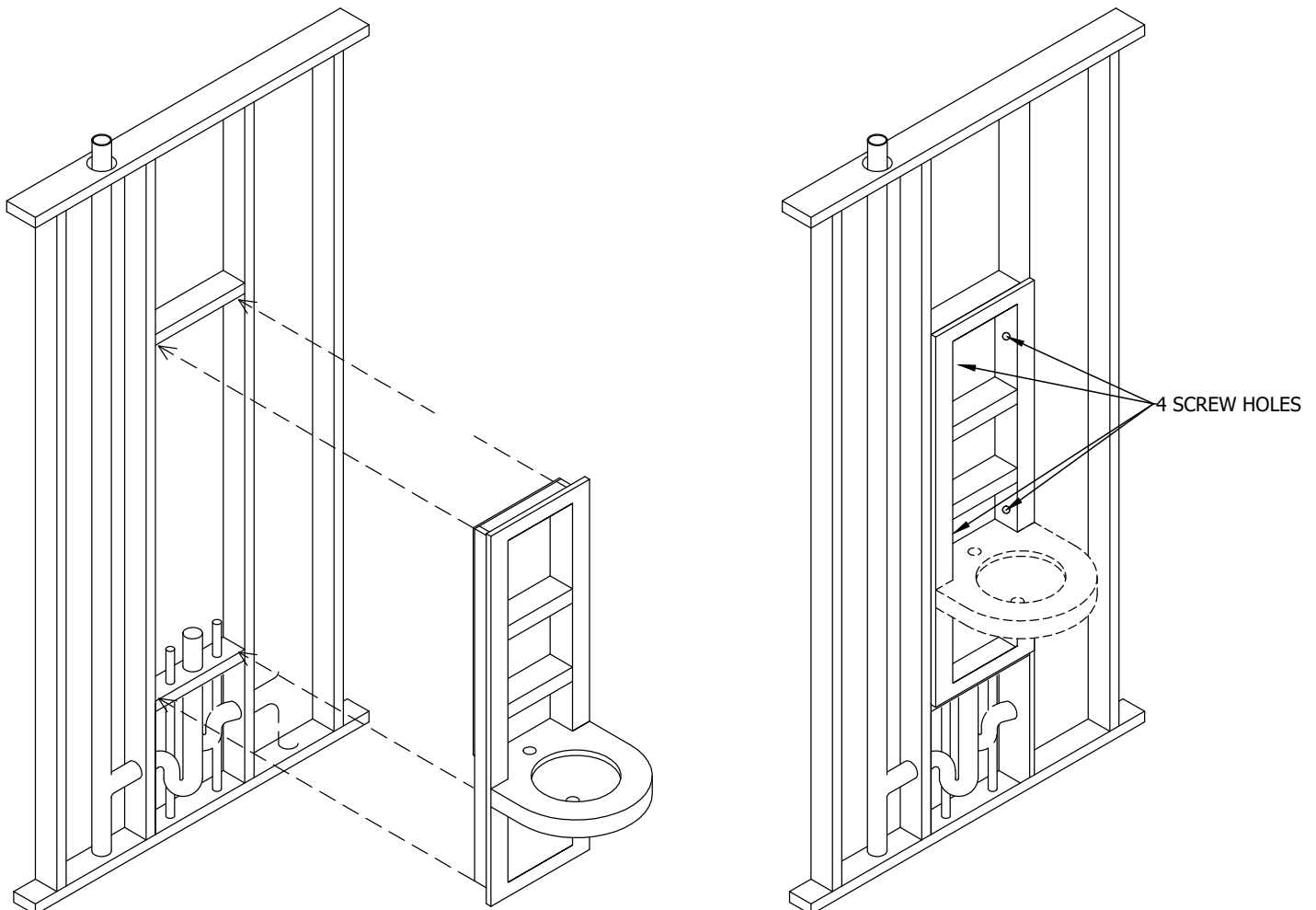
3 - INSTALLATION

1. Before inserting unit, counter-sink the four pre-drilled mounting holes on cabinet sides.
2. Dry-fit unit in rough opening to confirm face is evenly flush against wall. If large gaps are present, mark area and cut down wall surface to remove high spots on wall board.

Small gaps can be filled with any paint-able grade caulking after installation of the product.

3. When surface has been adequately prepared, insert unit into rough opening for final installation.
4. While holding unit flush to wall, check that it is level. If it is not, slightly raise one side until unit is plumb.
5. While keeping unit flush against the wall, secure raised side to studs through pre-drilled mounting holes using two flat head screws*.
6. Secure other side with remaining two screws*.

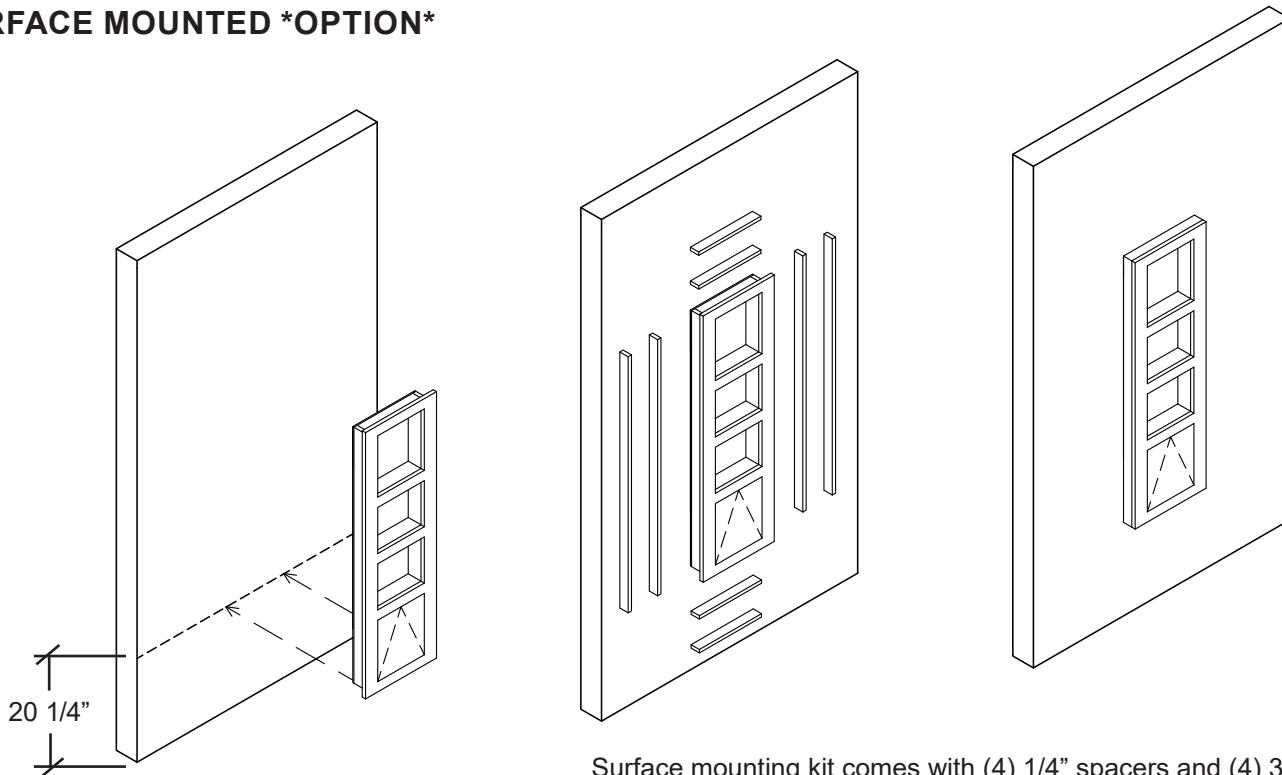
****Suggested screw size is #8 2-1/2" flat head screw***





3 - INSTALLATION CONT'D

SURFACE MOUNTED *OPTION*



Place the inwall 20 1/4" above the finish floor, and fasten to wall through the back. (Block as needed by others)

Surface mounting kit comes with (4) 1/4" spacers and (4) 3/4" spacers. Place the 1/4" Spacers on the outside of the frame first and secure to the frame. Stack on top of the 1/4" spacers the 3/4" spacers and secure to the frame. Surface mounting is complete.

4 - MAINTENANCE

Cleaning instructions

Painted and Anodized Aluminum Surfaces

Clean with mild detergent, damp cloth and dry thoroughly after cleaning.

Do NOT use alcohol or solvent based cleaners, ScotchBrite or other abrasive pads.

CORIAN® Surfaces

Clean with warm, soapy water or any non-abrasive ammonia based cleaner or disinfectant. Dry thoroughly after cleaning. For tougher stains, use Clean EnCounters® from DuPont.

Do NOT use window-cleaning solutions (they will leave a waxy build-up), ScotchBrite or other abrasive pads.

For more information on cleaning CORIAN surfaces, go to:

<http://www.dupont.com/products-and-services/construction-materials/surface-design-materials/brands/corlan-sol-id-surfaces/articles/how-to-clean-corlan.html>