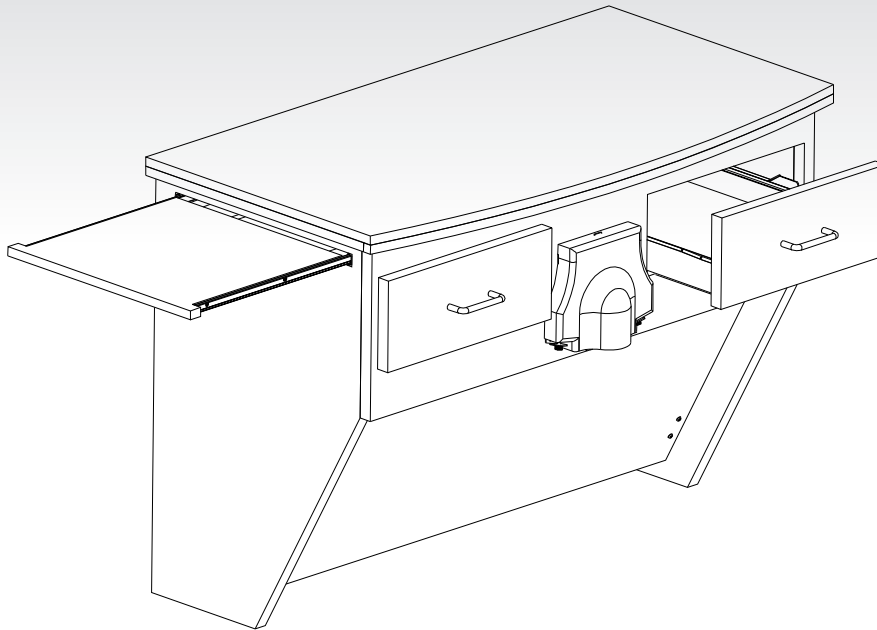




ergonomic products
Performance Without Compromise™

Installation and Operations Manual

C2B1 series: Universal Wall Workcenter™



Product ID: **C2B1**
Manual version: **B**



Thank you for purchasing the Ergonomic Products C2B1 Universal Wall Workcenter™.

Years of research by dentists, engineers and designers have made this a uniquely effective product in the industry. We stand behind our equipment, and genuinely believe it to be the best available on the market.

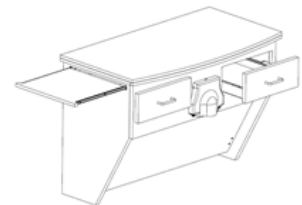
Should you have any questions regarding the product's installation or use, please don't hesitate to call our customer service specialists at **1-866-ERGO-4-US**. We may also be reached via email at **equip@ergonomic-products.com**.

We hope you enjoy the benefits and quality of your new equipment and look forward to handling your future needs as you and your practice continue to grow!

- The Ergonomic Products Team

CONTENTS:

1. DIMENSION SPECIFICATIONS.....	3
2. WORKCENTER ANATOMY.....	4
3. UNPACKING AND INSPECTING.....	5
4. SUGGESTED BLOCKING METHOD.....	6
5. UTILITY LOCATIONS.....	7
6. DRY WALL CUTOUT.....	8



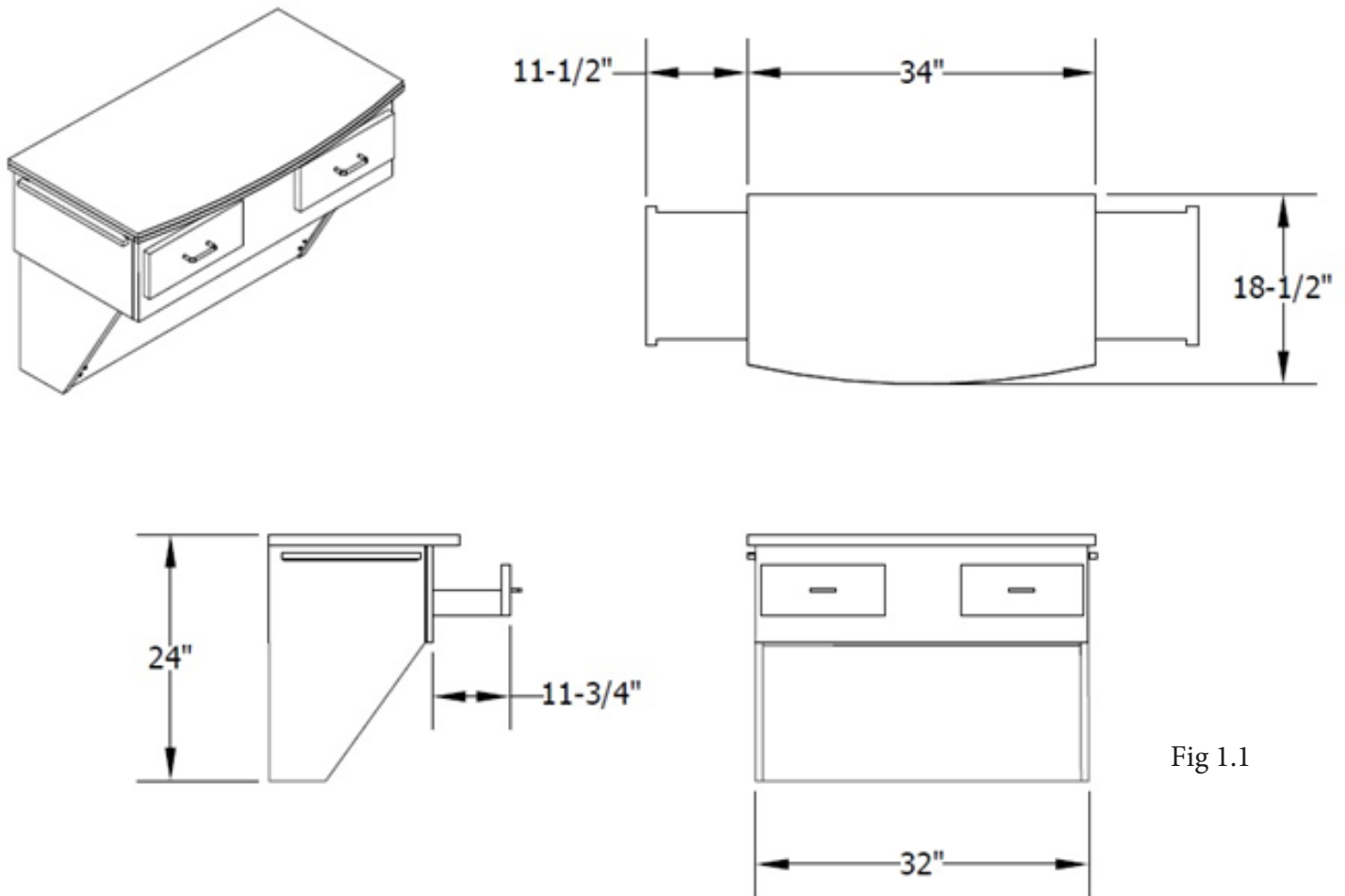
QUESTIONS?

**Call our Customer Service Specialists at:
1-866-ERGO-4-US.**



1 - DIMENSION SPECIFICATIONS

Below, Fig 1.1 shows the overall dimensions of the Universal Wall Workcenter™.





2 - WORKCENTER ANATOMY

Below, Fig 2.1 shows the features of the Universal Wall Workcenter™

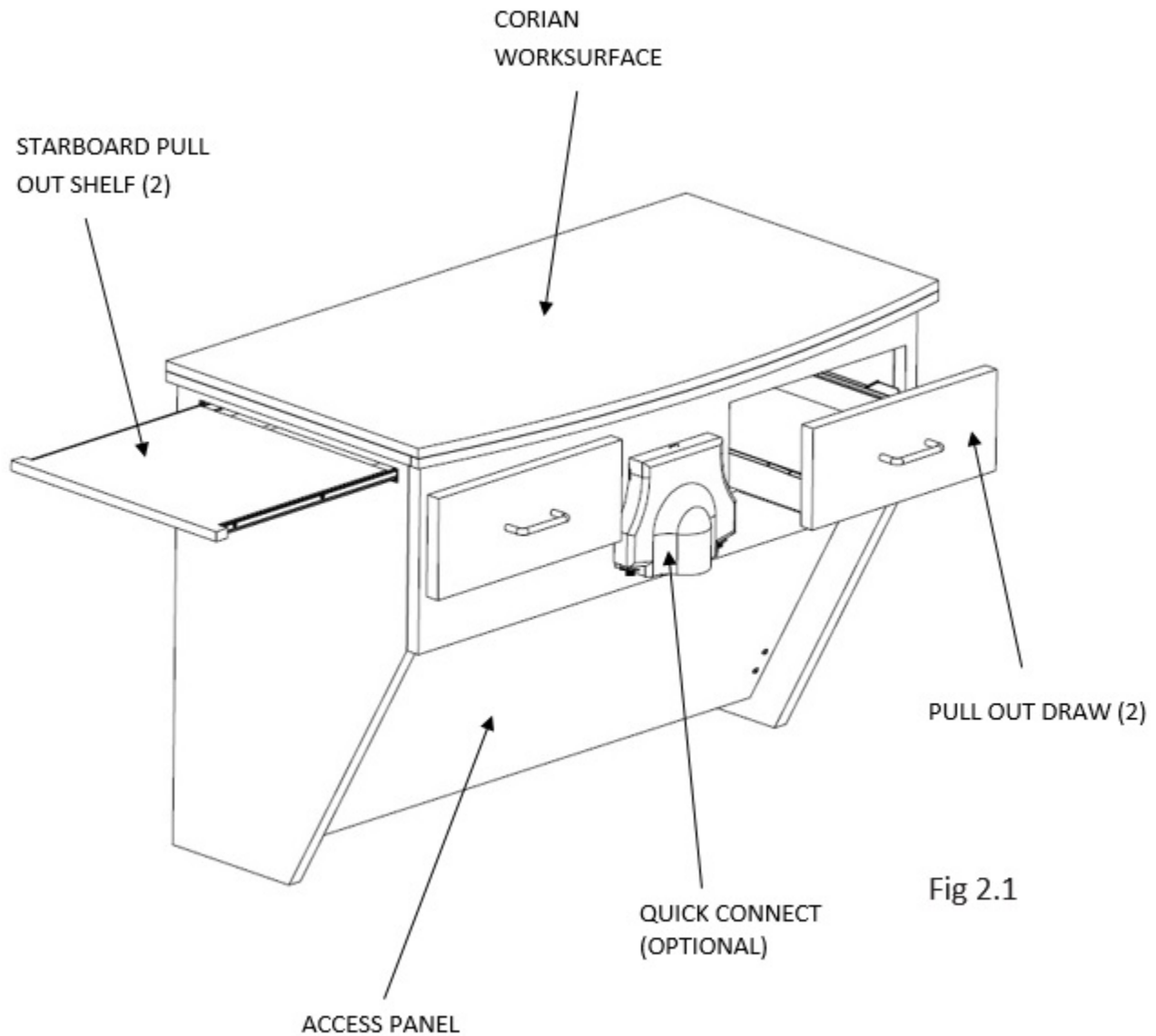


Fig 2.1



3 - UNPACKING AND INSPECTING

REQUIRED TOOLS

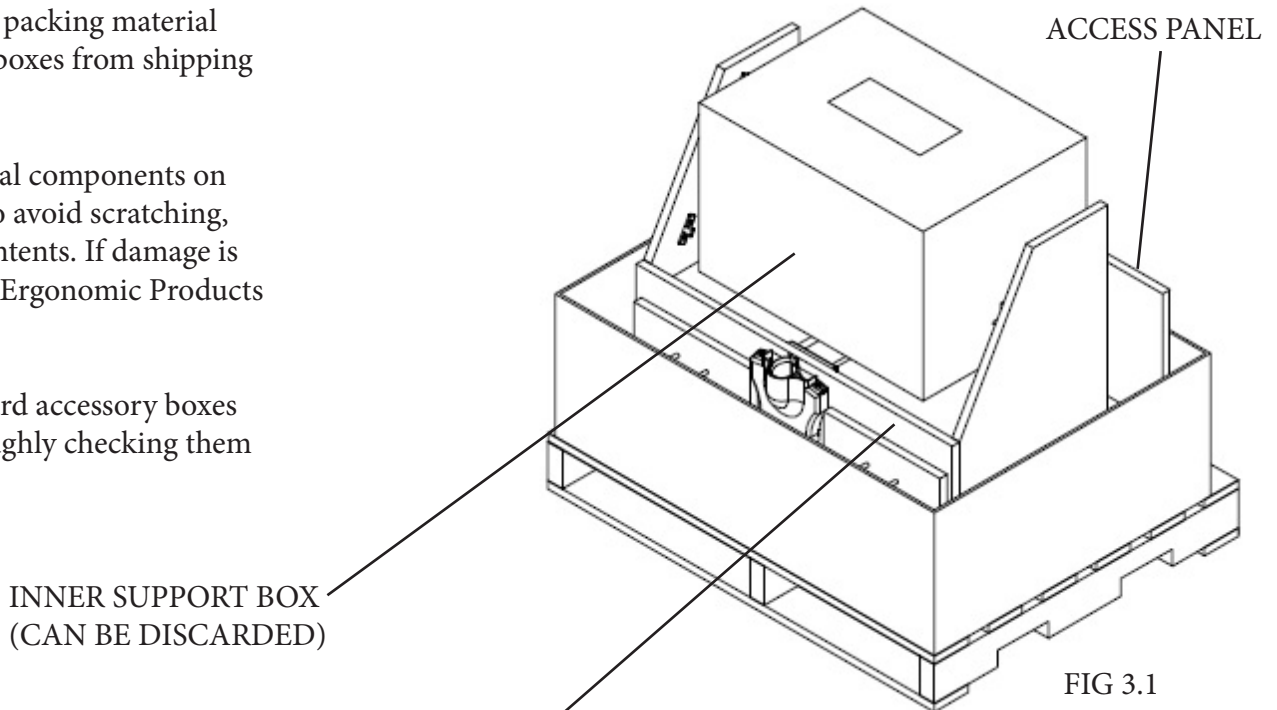
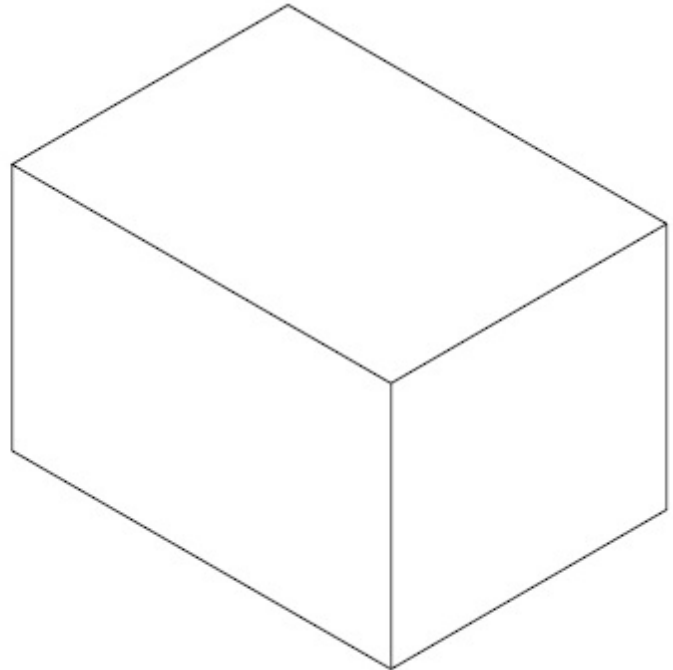
Utility Knife
Phillips Head Screwdriver
Electric drill and Assorted Bits

1. Inspect shipping container (Fig 3.1) for visible damage upon arrival. If transit damage is found, contact Ergonomic Products immediately. (This will expedite the corrective process).

2. Use safe lifting procedures to free the product from the container, and remove all packing material and accessory boxes from shipping container.

3. Lay individual components on clean surface to avoid scratching, and inspect contents. If damage is found, contact Ergonomic Products immediately.

4. Do not discard accessory boxes without thoroughly checking them for emptiness.





4 - SUGGESTED BLOCKING METHOD

Please note all dimensions (Fig 4.1) must be maintained for optimum placement of the Workcenter.

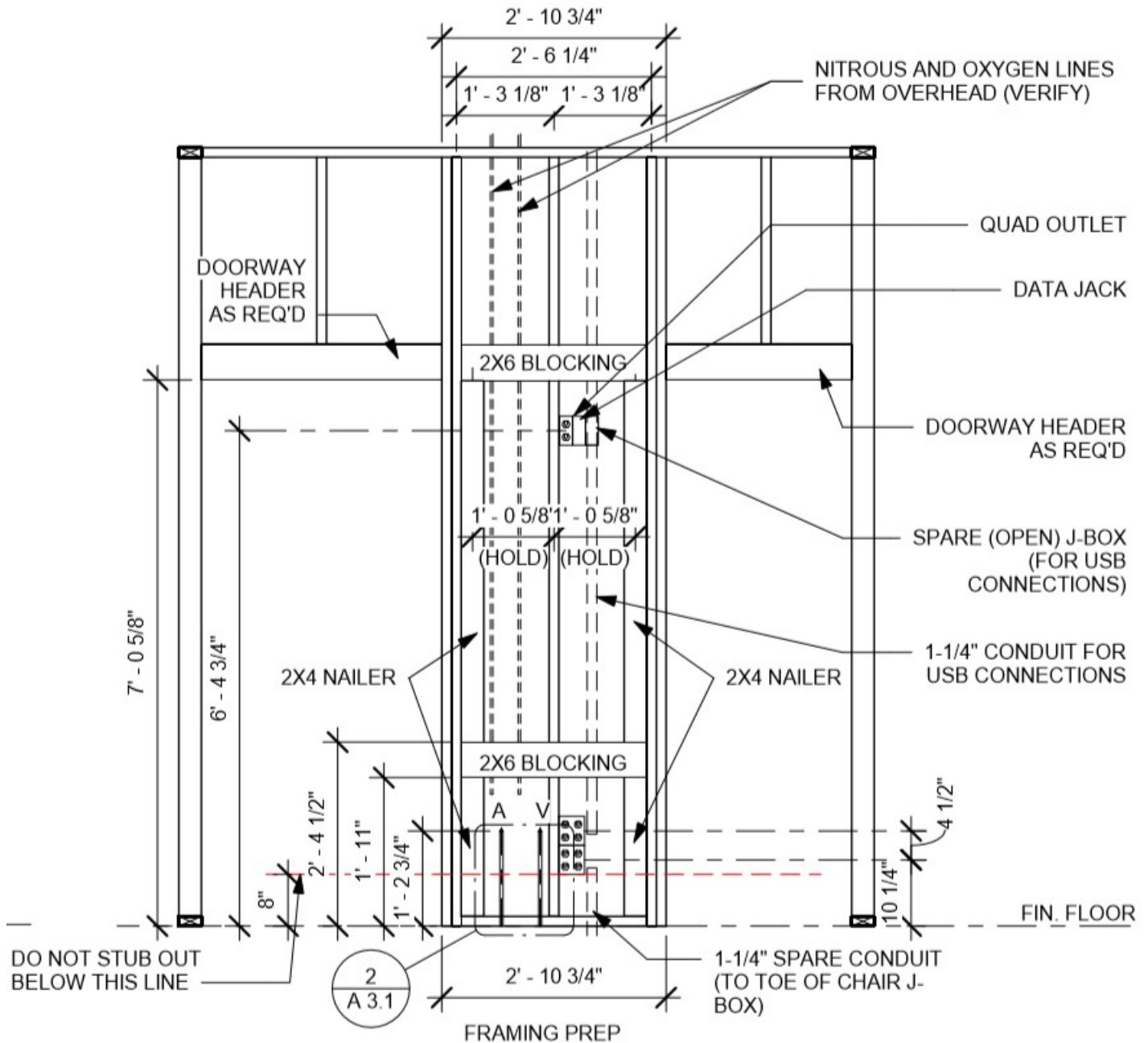


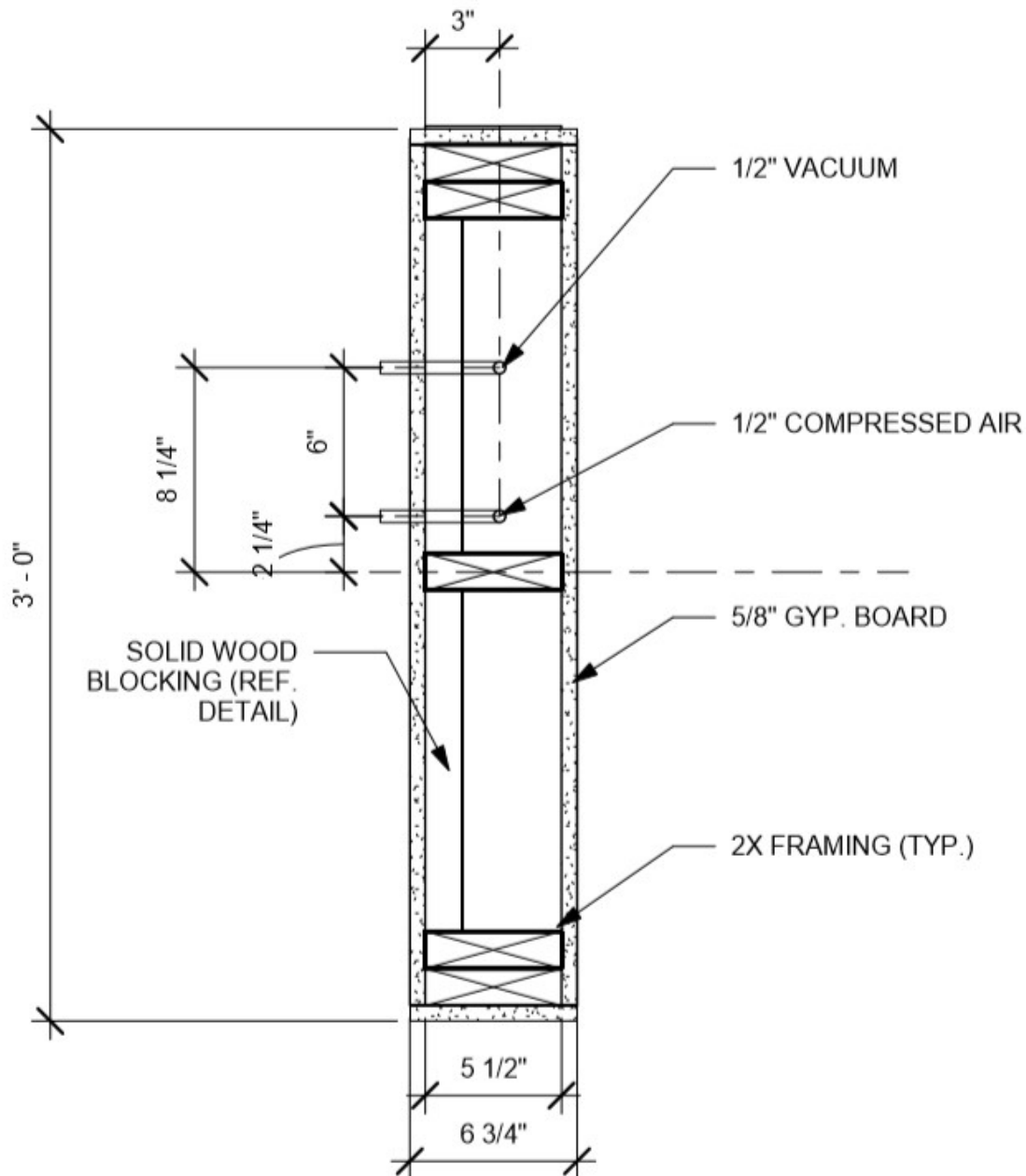
FIG 4.1

** Blocking to be done by licensed contractor



5 - UTILITY LOCATIONS

Please note all dimensions (Fig 4.1) must be maintained for optimum placement of the Workcenter.

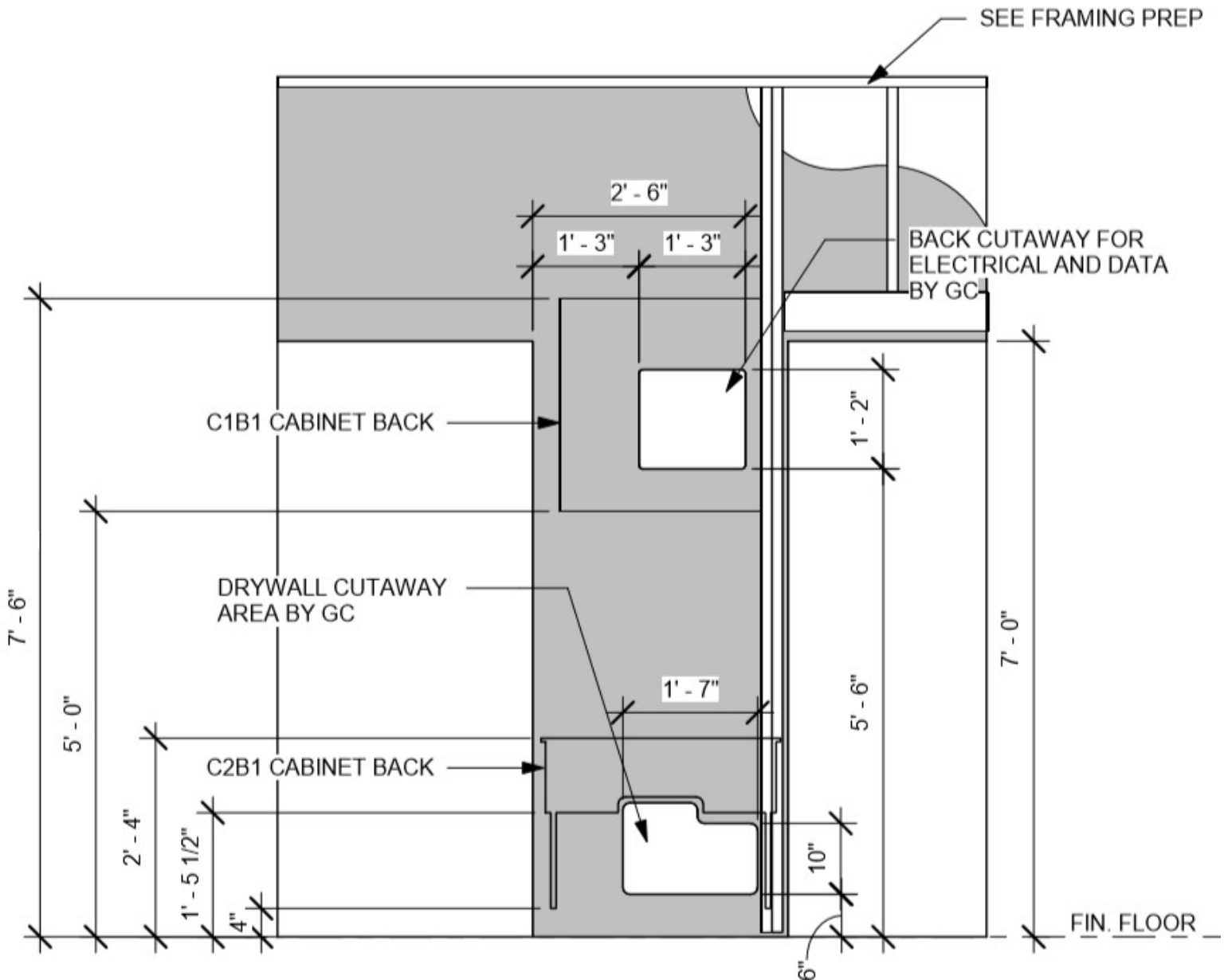


** Final plumbing connections to be made by a licensed plumber.



6 - DRYWALL CUTOUT

Please note all dimensions (Fig 6.1) must be maintained in order for optimum placement of the Workcenter.



** Drywall to be done by licensed contractor