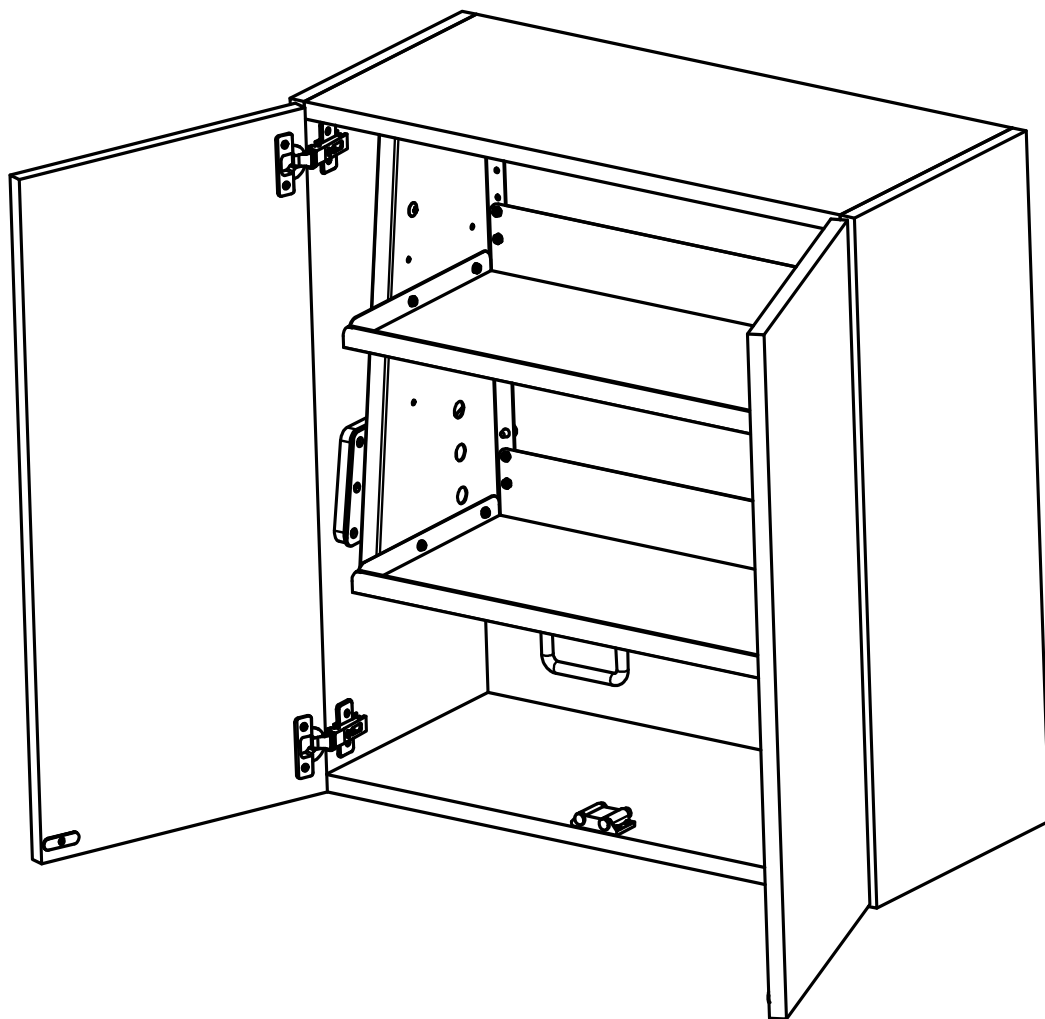




ergonomic products
Performance Without Compromise™

Installation and Operations Manual

C1A2: Hygiene Cabinet



Product ID: **C1A2**
Manual version: **C**



Thank you for purchasing the Ergonomic Products C1A2 Hygiene Resupply Cabinet.

Years of research by dentists, engineers and designers have made this a uniquely effective product in the industry. We stand behind our equipment, and genuinely believe it to be the best available on the market.

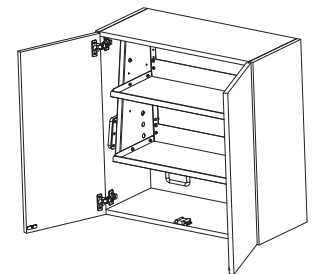
Should you have any questions regarding the product's installation or use, please don't hesitate to call our customer service specialists at **1-866-ERGO-4-US**. We may also be reached via email at **equip@ergonomic-products.com**.

We hope you enjoy the benefits and quality of your new equipment and look forward to handling your future needs as you and your practice continue to grow!

- The Ergonomic Products Team

CONTENTS:

1. RECEIVING YOUR SUPPLY CABINET.....	3
2. TOOLS NEEDED FOR INSTALLATION.....	4
3. FRAMING.....	5
4. INSTALLATION OF RESUPPLY CABINET.....	6
5. WARRANTY INFORMATION.....	8



QUESTIONS?

**Call our Customer Service Specialists at:
1-866-ERGO-4-US.**



1 - RECEIVING YOUR RESUPPLY CABINET

INTRODUCTION

In this manual you will find complete installation for your new Ergonomic Products 30" Resupply Cabinet. There are (5) major selections:

1. Receiving your Resupply Cabinet
2. Tools needed for installation
3. Framing
4. Installation of 30" Resupply Cabinet

Shipping Configuration

Your Resupply Cabinet is carefully packaged at the factory for safe shipping. Inspect the shipping cartons immediately for evidence of transit damage. If you see any indication of external damage, call us at the toll-free number listed below. This will simplify making a claim against the shipping company.

Unpacking

Open each shipping carton and carefully remove the contents. Remove all packaging material from the contents of the shipping cartons. Arrange the contents on a bench or table in preparation of the inspection described in the next section.

Inspection

After unpacking your Resupply Cabinet, carefully check that the configuration/options for your product(s) are correct. If anything is damaged or missing, contact Ergonomic Products customer service at **1-866-ER-GO-4-US**.

We make every effort to ensure that shipments are complete. However, if anything is missing, please call us immediately and we will send the item(s) out to you promptly.

QUESTIONS?

Call our Customer Service Specialists at:
1-866-ERGO-4-US.



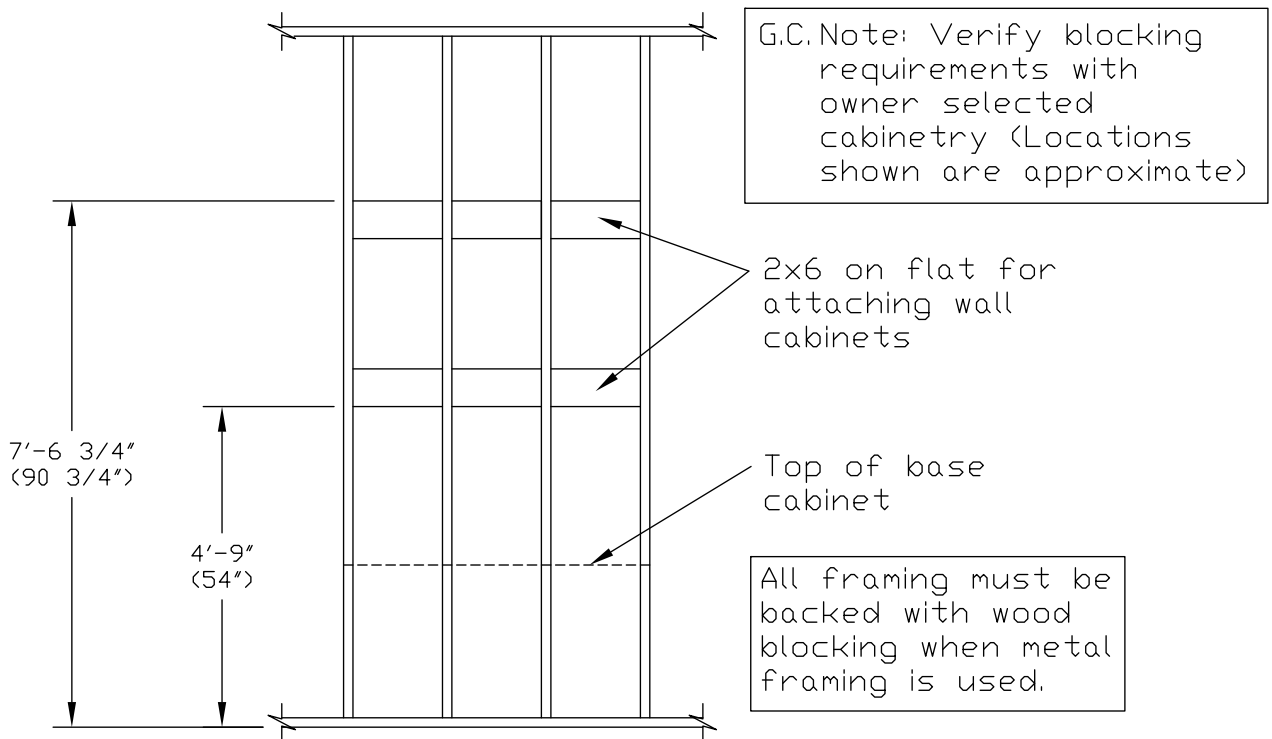
2 - TOOLS NEEDED FOR INSTALLATION

Description	Purpose
Utility Knife	For box and packing removal
Long Philips Head Scredriver	For use only with tilt bin option
#8 Countersink Drill Bits	



3 - FRAMING

During the framing process, a 2"x 6" or equivalent cabinet blocking should be installed at 54" above the finished floor and again 90 3/4" above the finished floor as shown in figure 1. This will provide necessary support for your Resupply Cabinet.



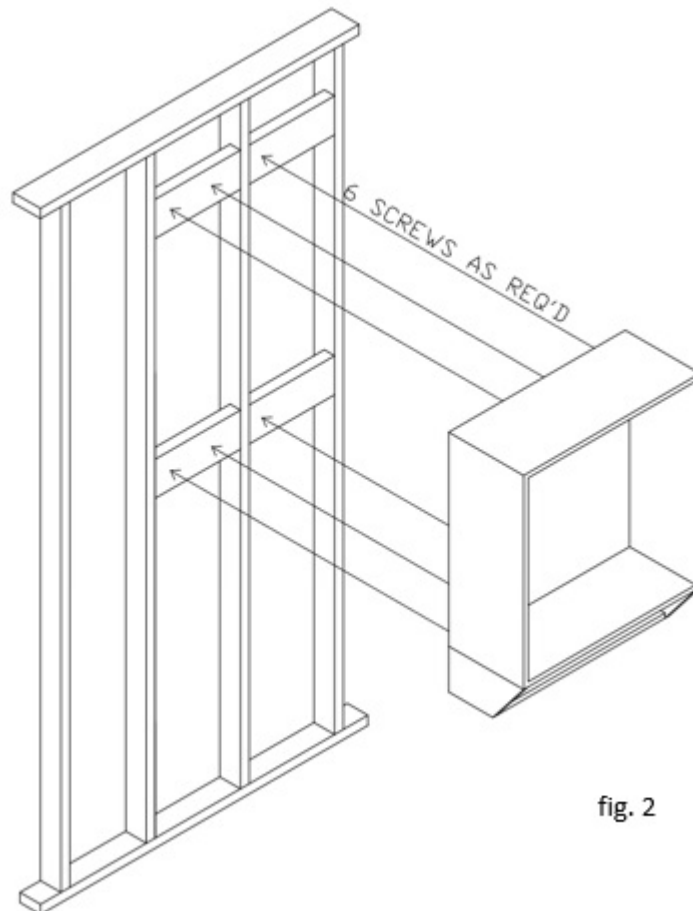


4 - INSTALLATION OF RESUPPLY CABINET

Installation of you Resupply Cabinet requires only standard tools. This section includes illustrations to help you visualize the installation.

Installation of Resupply Cabinet

1. Position the bottom of the Resupply Cabinet 54" above the finished floor where indicated on the elevation. This height is required for proper use of the pull-down fixture.
2. Be sure unit is level.
3. Using six # 10x2-½ screws, secure the Resupply Cabinet into the cabinet blocking through the cleats of the cabinet as shown in Figure 2. Use three screws along the top and three along the bottom.





4 - INSTALLATION OF RESUPPLY CABINET CONT'D

Installation of Resupply Cabinet without cabinet blocking

Although it is our recommendation to install the Resupply Cabinet using the cabinet blockings, it is still possible to install the cabinet without them.

1. Position the bottom of the Resupply Cabinet 54" above the finished floor centering the cabinet horizontally over two (2) studs. May not allow for proper spacing.
2. Be sure the unit is level.
3. Secure the Resupply Cabinet using six (6) #10 x 2 ½" screws into the studs with three (3) screws spaced evenly down the left side and three (3) screws spaced evenly down the right side.