

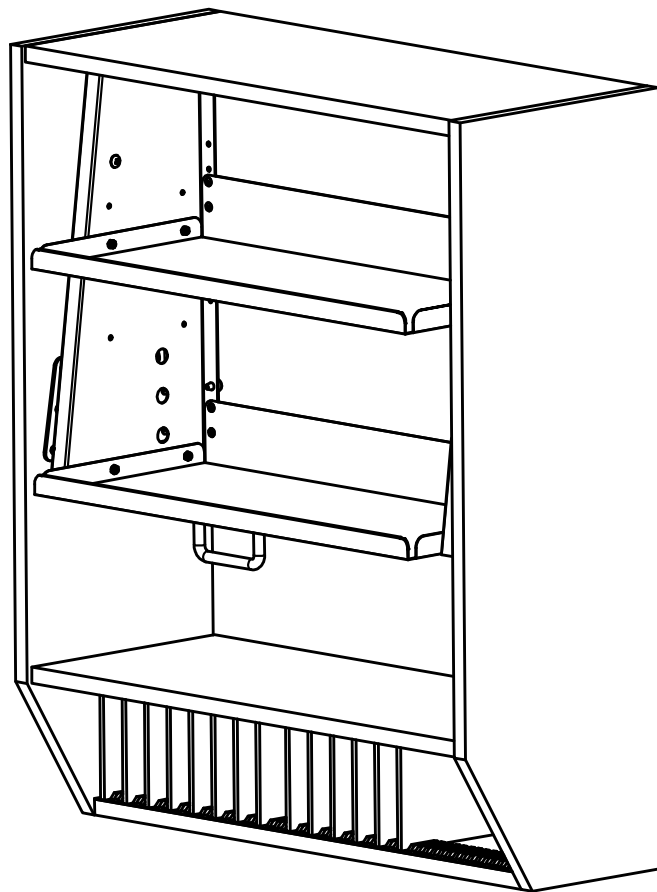


ergonomic products

Performance Without Compromise™

INSTALLATION AND OPERATIONS MANUAL

C1A1: 30" Resupply Cabinet with Pulldown



Product ID: **C1A1**
Manual: E



Thank you for purchasing the Ergonomic Products C1A1 30" Resupply Cabinet.

Years of research by dentists, engineers, and designers have made this a uniquely effective product in the industry. We stand behind our equipment, and genuinely believe it to be the best available on the market.

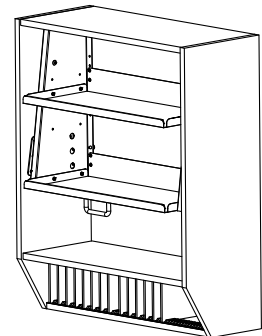
Should you have any questions regarding the product's installation or use, please don't hesitate to call our customer service specialists at **1-866-ERGO-4-US**. We may also be reached via email at **equip@ergonomic-products.com**.

We hope that you enjoy the benefits and quality of your new equipment and look forward to assisting you with your future needs as your practice continues to grow!

—The Ergonomic Products Team

CONTENTS:

1. Required Tools / Unpacking and Inspecting.....	3
2. Specifications and Options.....	4
3. Framing.....	5
4. Installation.....	6



QUESTIONS?

**Call our Customer Service Specialists at:
1-866-ERGO-4-US**



1 – REQUIRED TOOLS / UNPACKING AND INSPECTING

REQUIRED TOOLS:

Long Phillips Head Screwdriver
#8 Countersink Drill Bit
Electric Screw Driver
Construction Level

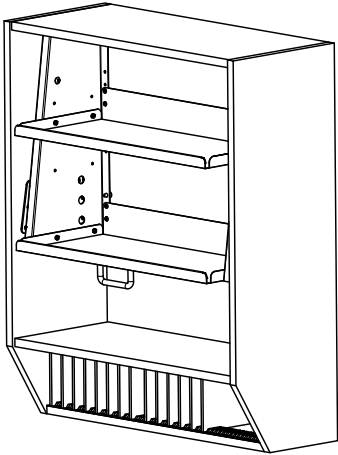
#8 2-1/2" wood screws for wood blocking.

**#8 2-1/2" flat head self drill screws for
sheet metal blocking.**

1. Inspect shipping container for visible damage upon arrival. If transit damage is found, contact Ergonomic Products immediately (this will expedite the corrective process).
2. Use safe lifting procedures to free the product from the container, and remove all packing material and accessory boxes from shipping container.
3. Lay individual components on clean surface to avoid scratching, and inspect contents. If damage is found, contact Ergonomic Products immediately.



2 – SPECIFICATIONS AND OPTIONS



USE & FEATURES

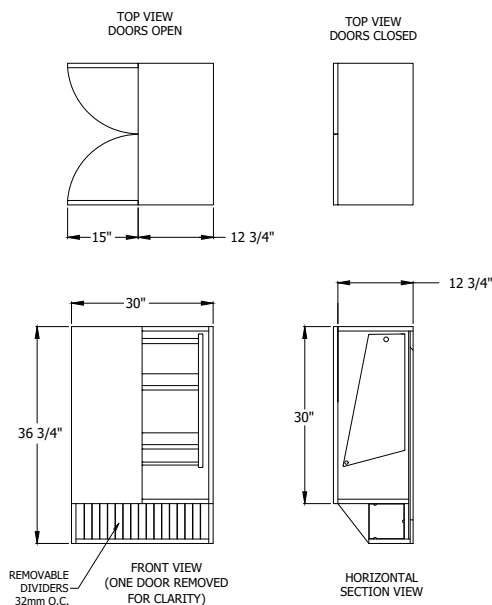
- Hydraulic pull-down shelving provides easy access to materials.
- Maximizes use of vertical storage space without sacrificing safety.
- Open shelving allows visual inventory know at a glance, what you have and where it is.
- Partition storage under unit allows for quick and customizable arrangement of materials.
- Hygiene version with doors available.
Note: this will eliminate the open partitioned under-storage.

OPTIONAL FEATURES

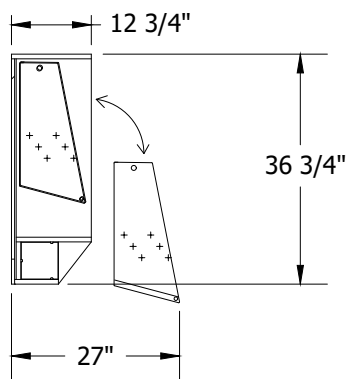
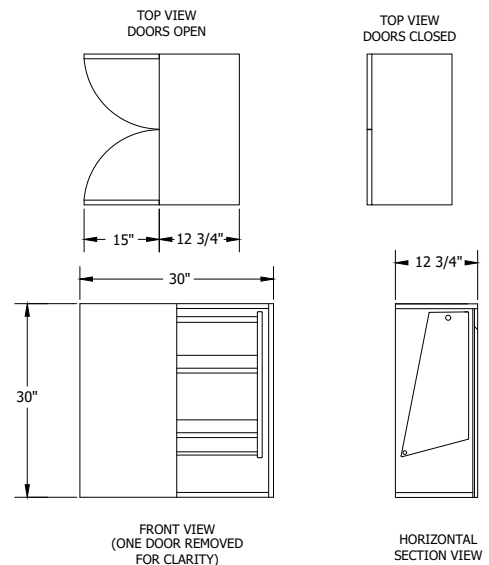
Tilt Bins - Choose between 5, 6, or 9 slot tilt bins.

Cabinet doors - This option is intended to be used in Hygiene rooms.

RESUPPLY CABINET DIMENSIONS



HYGIENE CABINET DIMENSIONS



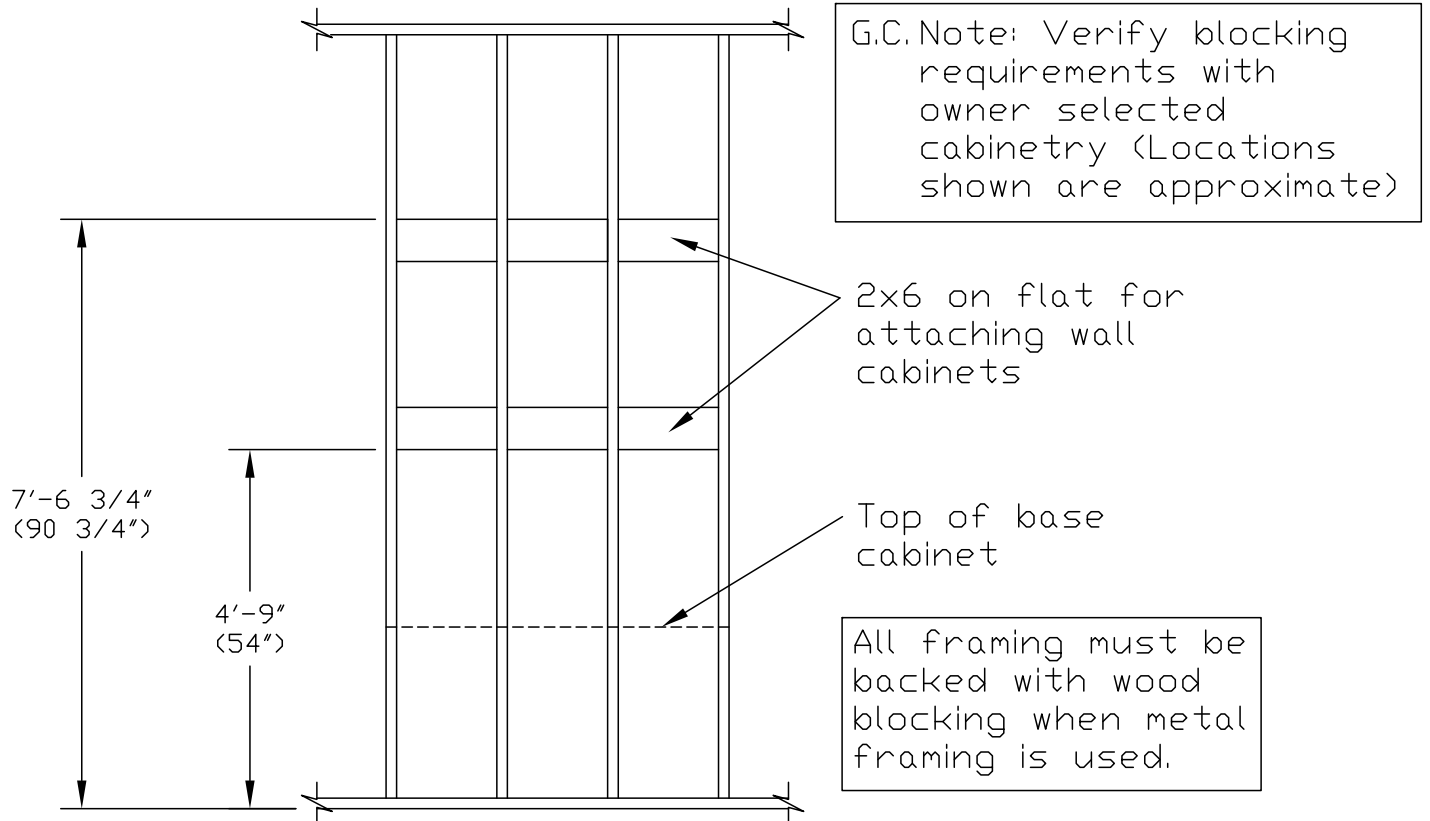
PULLDOWN DIMENSIONS AND SPECS

- For ease of pulldown use, make sure the unit does not surpass 35lbs of weight or 17lbs per shelf.



3 – FRAMING

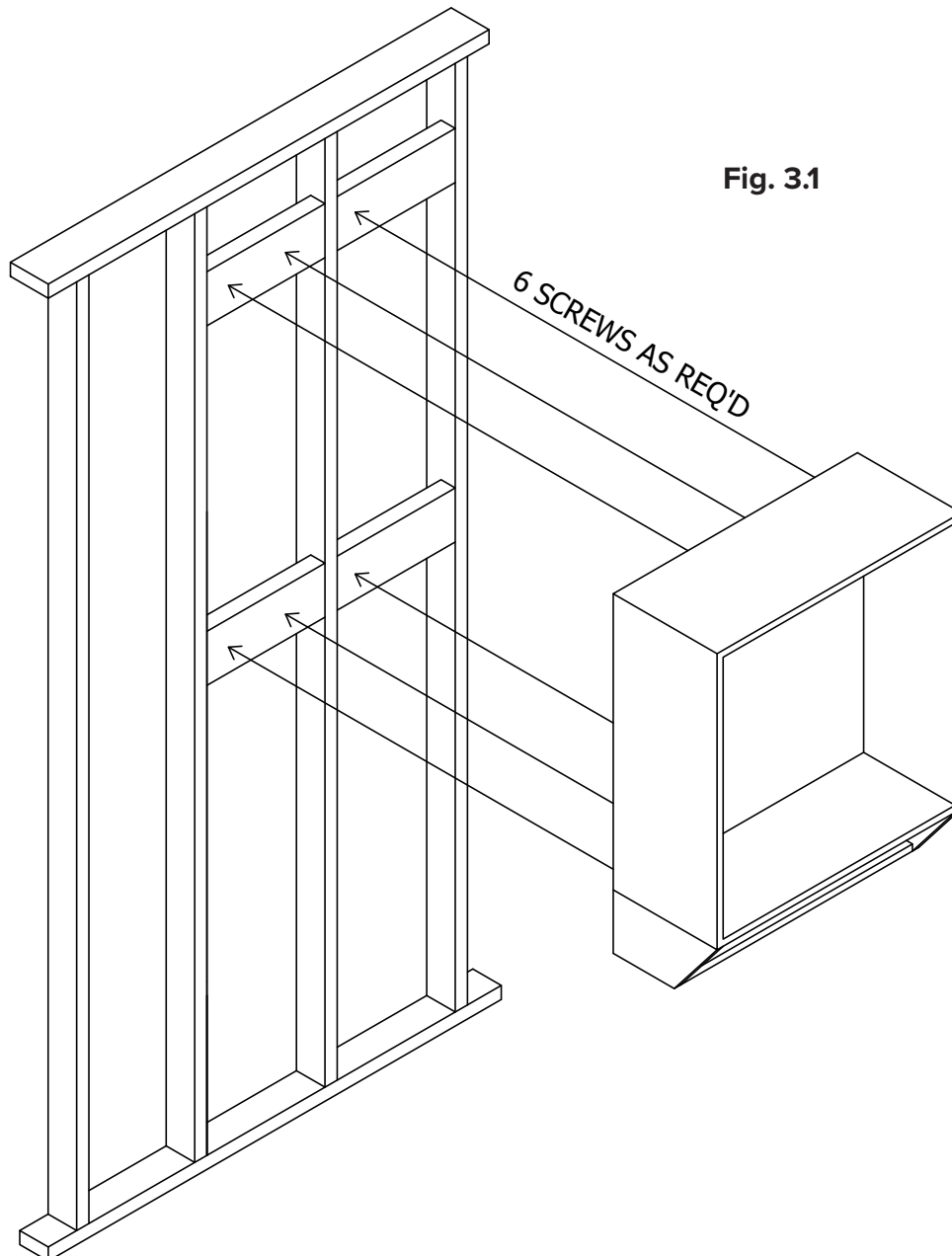
During the framing process, a 2"x 6" or equivalent cabinet blocking should be installed at 54" above the finished floor and again at 90 3/4" above the finished floor. This will provide necessary support for your Resupply Cabinet.





4 – INSTALLATION

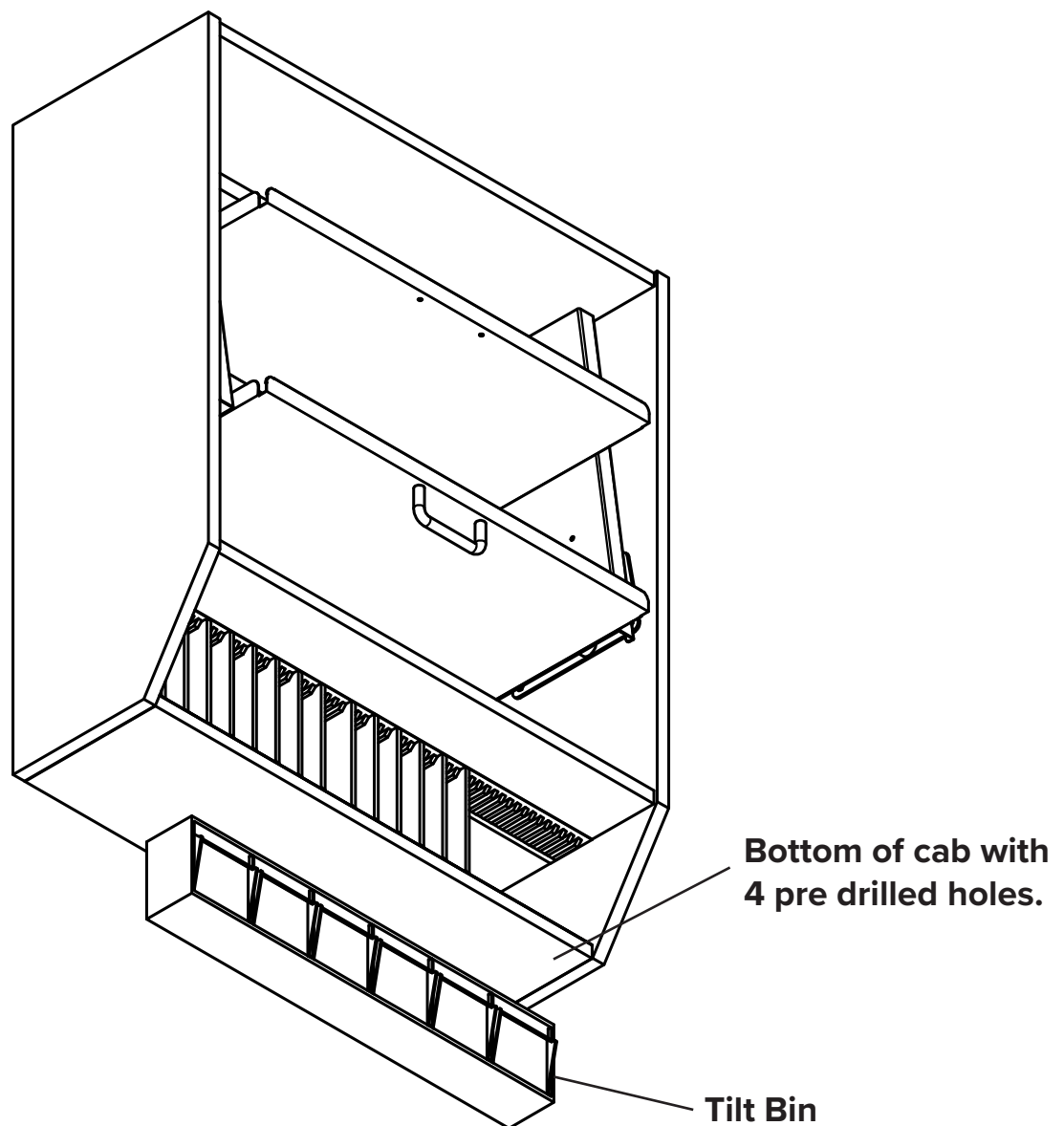
1. Position the bottom of the Resupply Cabinet 54" above the finished floor where indicated on the elevation. This height is required for proper use of the pull-down fixture.
2. Make sure unit is level.
3. Using six #10x2-1/2" screws, secure the Resupply Cabinet into the cabinet blocking through the cleats of the cabinet as shown in Fig. 3.1. Use three screws along the top and three along the bottom.





4 – INSTALLATION cont'd

1. Remove tilt bins from frame
2. Using supplied screws (four (4) #6 x 5/8" philips-head screw), attach tilt bin frame to the bottom of cabinet into the pre-drilled holes, using a philips head screw driver.
3. Replace tilt bins into frame.





4 – INSTALLATION cont'd

INSTALLATION OF RESUPPLY CABINET WITHOUT CABINET BLOCKING:

Although it is our recommendation to install the Resupply Cabinet using the cabinet blockings, it is possible to install the cabinet without them.

1. Position the bottom of the Resupply Cabinet 54" above the finished floor centering the cabinet horizontally over two (2) studs. This may not allow for proper spacing.
2. Make sure the unit is level.
3. Secure the Resupply Cabinet using six (6) #10 x 2-1/2" screws into the studs with three (3) screws spaced evenly down the left side and three (3) screws spaced evenly down the right side.

