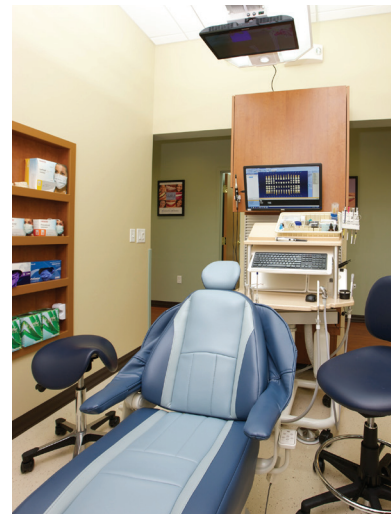




ergonomic products™
Performance Without Compromise®



UNIVERSAL ROOM PACKAGE



www.ergonomic-products.com

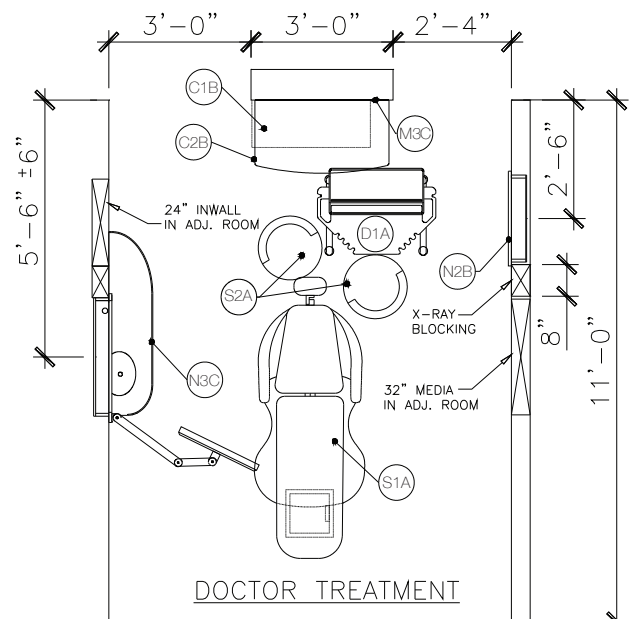


Raising Dental Productivity to New Heights



The UNIVERSAL Room Package offers exceptional treatment delivery, improved case presentation capabilities and an enhanced patient experience.

- High-performance, multi-tiered delivery platform
- Inwall digital presentation
- Instant Left/right Convertibility
- Extensive production & storage space
- Advanced clinical & general lighting solutions
- The most feature-rich patient chair on the market



(L1A1 Lighting System not shown)

Performance without Compromise.®

Our treatment room solutions are unmatched, combining **the most efficient delivery, flexibility, space efficiency and enhanced work-flows in the industry.** The promise at the heart of all our equipment packages – **Any Procedure, Any Room, Any Time** – has enabled our clients to consistently achieve production-per-hour levels that are two to three times the national average.

The Universal Package delivers next-level utility, comfort, and performance within the Ergonomic Products system. From the newly enhanced Universal workstation to our next generation lighting and patient media system, these operatories will unleash your practice's potential beyond anything you thought possible.

Do more world-class dentistry with ease in an environment that both you and your patients will love.



Universal Workstation (item D1A1)
Standard Features Include:

- 1 High speed air
- 1 Low speed air
- 1 A/W syringe
- 1 HVE
- 1 Saliva ejector
- 10 Milled hand-piece holders
- Auxiliary Air/Water ports
- 2 Recessed bur detents
- 1 MegaTub with aluminum side rack
- 1 EP Consumable Bin
- 1 EP Med-waste Bin
- Stainless steel trash shelf and waste basket



Universal Headwall
Standard Features Include:

- C1B1 - Computer Storage Cabinet**
 - 4.4 cubic feet of storage
 - Slide-out shelf for CPU
 - Monitor mounting bracket
- M3C1 - Slat Wall**
 - Over 5 sq ft of slat wall
 - 100's of accessories available
- C2B1 - Universal Work Center**
 - 4 sq ft of Corian work-surface
 - Built-in slide-out shelves
 - 2 deep storage drawers
 - Quick Connect umbilical port
 - Utility access panel



32" Inwall Media (item N3C1)
Standard Features Include:

- Articulating Media Arm with monitor bracket
- Extended Corian Counter-top
- Recessed paper towel and cup dispenser behind large hinged mirror
- Additional product storage behind mirror
- Open glove & bib storage
- Chrome faucet
- Brushed stainless sink
- CPU compartment
- Utility access panel



24" Inwall Storage (item N2B1)
Standard Features Include:

- Impact resistant seamless face-frame
- Bulk storage specifically designed to hold standard glove boxes

Optional Features Include:

- Flip-up writing surface (shown)
- Med-waste flip-out
- Chart / Paper-towel holders



TBL Aurora LS (item L1A1)
Standard Features Include:

- All LED lighting
- 7000-32000 lux intra-oral light
- Built-in touchless On/Off control
- Tune-able wave-length allows intra-oral use with a range of curable composites
- Continuous 360° light-arm rotation
- Dimmer-controlled, reflected general lighting for an improved patient experience
- 2 high-intensity task lights, with independent direction and focus adjustment
- Adjustable VESA 100 monitor bracket





EP 390 Patient Chair (item S1A1) - Standard Features Include:

- Heated base
- Lower lumbar massage
- 10" Traverse length for perfect positioning
- Memory Foam support
- Rich Ultraleather® upholstery
- Hydraulic lift
- Audio inputs

Product shown with optional self-tensioning arm slings, and decorative contour stitching. (Tri-tone upholstery scheme not currently available.)



RPG 400-D (items S2A1 & S1A2) Doctor and Assistant Stools

- Patented split backrest for lower lumbar support
- "Active Seating" responds to weight and position changes
- Rich Ultraleather® upholstery
- Single lever, multi-function control
- Assistant Stool includes adjustable foot-ring for added comfort and utility

Universal Room Package - Standard Pricing



Item #	Description	Price
Delivery & Headwall		
D1A1	Universal Workstation (Std Config)	\$ 12,099.00
C1B1	Computer Storage Cabinet.....	1,069.00
C2B1	Universal Wall Work Center.....	2,279.00
M3C1	Slat Wall	660.00
Storage & Presentation		
N2B1	24" Inwall Storage.....	929.00
N3C1	32" Inwall Media w/ Sink	4,299.00
Lighting		
L1A1	Aurora LS.....	7,599.00
Patient & Practitioner Seating		
S1A1	EP 390 Patient Chair	9,995.00
S2A1	RGP 400-D Doctor Stool.....	1,129.00
S2A2	RGP 400-D Assistant Stool	1,249.00
TOTAL		\$ 41,307.00

Pricing does not include X-rays, CPU, or other supplies shown.
All pricing based on standard configurations, with cabinetry & Corian in white.
Prices subject to change. Call for details.

23_01_06