

TERRA™ ROOM PACKAGE

Explode Your **Productivity**
...Not Your **Budget.**



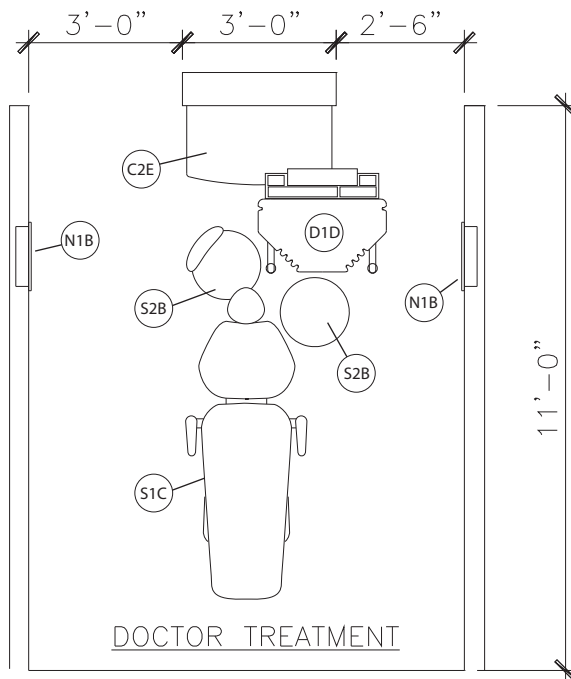
ergonomic
products

Performance Without
Compromise™

www.ergonomic-products.com



A Cost-Effective & Reliable Approach to Creating the Nation's Highest Producing Treatment Rooms.



Capturing all of Design Ergonomic and Ergonomic Products' **performance-driven philosophies**, the **TERRA** Room Package is the engine that will quickly **power your new practice up to speed.**

- Smaller Equipment Footprint and More Efficient Use of Practice Space allows for Increased Operatories
- Reduced Range of Motion for Dramatically Improved Productivity
- Consolidated Material and Supply Delivery
- Left/right Convertibility
- Reduced Room-turnaround Time

This budget-conscious solution will give you access to the most productive delivery system on the market – **at a fraction of the price!**

TERRA™ Room Package - Standard Pricing



Item #	Description	Price
Delivery & Headwall		
D1D1	Terra Workstation (Std Config)	\$ 4,999.00
C2E1	Essential Headwall	1,999.00
Storage & Presentation		
N1B1	16" InWall Storage (doctor's side)	739.00
N1B1	16" InWall Storage (assistant's side)	739.00
Patient & Practitioner Seating		
S1C1	Marathon Patient Chair	4,800.00
S2B1	Aurora Doctor Stool	772.50
S2B2	Aurora Assistant Stool	997.50
TOTAL		\$ 15,046.00

Pricing does not include X-rays, CPU, or other supplies shown. All pricing based on standard configurations, and are subject to change. Cabinetry in standard EP colors with white Corian. Other colors available as upgrades. Ask for details.

23.01.09

TERRA™ Room Package - Specifications



Terra™ Workstation (item D1D1) Standard Features Include:

- 1 High speed air
- 1 Low speed air
- 1 A/W syringe
- 1 HVE
- 1 Saliva ejector
- 8 Milled hand-piece holders
- Solid white Corian work-surface
- 1 EP UltraTub
- 1 EP Consumable Bin
- 1 Med-waste/Sharps Bin
- 2-liter self contained water

Shown with optional bur detents, and waste receptacle & shelf. Materials not included.



Essential Headwall (item C2E1) Standard Features Include:

- Solid white Corian work-surface well suited to a medical environment
- Aluminum Side-rails create attractive cable management (available white powder-coat or anodized)
- Utility Access Panel
- Slatwall Storage System allows customizable product or utility storage

Does not include monitor. A variety of Slatwall fixtures sold separately.



16" InWall™ Storage (item N1B1) Standard Features Include:

- Impact resistant, seamless face-frame
- Bulk storage specifically designed to hold standard glove boxes
- Space-saving InWall™ construction

Shown with optional Paper Towel holder. Other options and accessories available.

Aurora Doctor & Assistant Stools Standard Features Include:

- Triple lever, independent adjustment
- Molded consour seat
- 5 dual-caster base
- Easy cleaning vinyl upholstery



Item S2B1



Item S2B2



Marathon Patient Chair (item S1C1) - Standard Features Include:

- Electro-mechanic Base and Back
- Auto Return and Last Position Functions
- Four Programmable Pre-Positions
- Side Chair Touch Pads
- Double Articulating Headrest
- Armrests with Chair Touch Pads