



ergonomic products™  
Performance Without Compromise®



# HORIZON ROOM PACKAGE

*A New Look and Improved Productivity!*



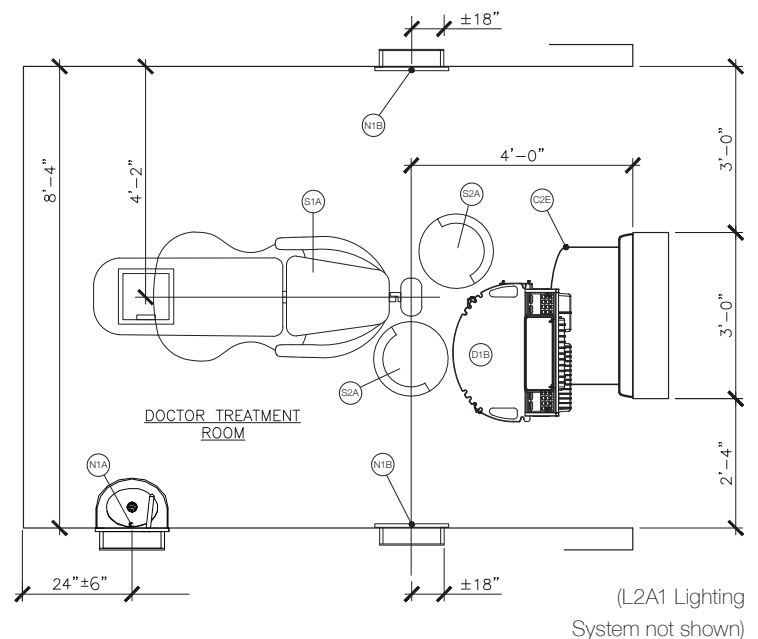


## Raising Dental Productivity to New Heights



The HORIZON Room Package offers consolidated supply delivery platform that provides exceptional performance on a moderate budget.

- New double-tier design place all operatory materials and supplies even closer for improved ergonomics and a better appearance.
- Instant Left/right Convertibility
- InWall comfort station and storage units maximize use of space leaving the treatment room with an open, uncluttered floor-plan.
- Low-profile headwall allows custom layout of support and product items to create a look that is custom-tailored and professional.



## Performance without Compromise.®

Our treatment room solutions are unmatched, combining **the most efficient delivery, flexibility, space efficiency and enhanced work-flows in the industry.** The promise at the heart of all our equipment packages – **Any Procedure, Any Room, Any Time** – has enabled our clients to consistently achieve production-per-hour levels that are two to three times the national average.

**The Horizon Package delivers the accelerated utility, comfort, and performance** that is the hallmark of all Ergonomic Products systems. And the newly redesigned Horizon Workstation provides **ergonomics & productivity enhancements** that will get your next practice to the next level even faster.

**Do more world-class dentistry with ease in an environment that both you and your patients will love.**



## Horizon Workstation (item D1B1) Standard Clinical Features:

- 1 High speed air
- 1 Low speed air
- 1 A/W syringe
- 1 HVE
- 1 Saliva Ejector
- 10 Milled hand-piece holders
- 2-liter self-contained water
- 1 EP UltraTub
- 1 EP Consumable Bin
- 1 EP Med-waste Bin
- 2 Recessed bur detents



## Essential Headwall (item C2E1) Standard Features:

- 3-1/2 sq ft of solid Corian work surface
- Over 6 sq ft of Slat Wall face can receive a wide array of accessories
- Corian Top-cap & Backsplash
- Quality aluminum side rails can be configured to support a variety of media/device requirements
- Removable utility access panel

(monitor and other supplies shown not included)



## 16" InWall Comfort Station (item N1A1) Standard Features Include:

- Large, hinged mirror covers InWall storage
- Impact resistant, seamless face-frame
- Chrome faucet
- Brushed stainless under-mount sink
- Beveled Corian counter
- Corian backsplash
- Utility access panel
- Recessed paper towel and cup dispenser



## 16" InWall Storage (item N1B1) Standard Features Include:

- Impact resistant seamless face-frame
- Bulk storage specifically designed to hold standard glove boxes

## Optional Features Include:

- Flip-up writing surface
- Med-waste flip-out
- Chart / Paper-towel holders



## FastTrack LS Track Light (item L2A1) Standard Features Include:

- All LED lighting
- 7000-32000 lux intra-oral light
- Built-in touchless On/Off control
- Tune-able wave-length allows intra-oral use with a range of curable composites
- 360° light-arm rotation
- Single-piece aluminum extrusion body
- Milled billet aluminum trolley
- Igus® Energy Chain for reliable cable management



## EP 310 Patient Chair (item S1A4) - Standard Features Include:

- Memory Foam support
- Rich Ultraleather® upholstery
- Hydraulic lift
- Audio inputs

Product shown with optional self-tensioning arm slings, and decorative contour stitching. (Tri-tone upholstery scheme not currently available.)



## RGP 400-D (items S2A1 & S2A2) Doctor and Assistant Stools

- Patented split backrest for lower lumbar support
- "Active Seating" responds to weight and position changes
- Rich Ultraleather® upholstery
- Single lever, multi-function control
- Assistant Stool includes adjustable foot-ring for added comfort and utility

## HORIZON Room Package - Standard Pricing

Item #	Description	Price
<b>Delivery &amp; Headwall</b>		
D1B1	Horizon Workstation (Std Config)	\$ 8,499.00
C2E1	Essential Headwall Workcenter	1,999.00
<b>Storage &amp; Presentation</b>		
N1B1	16" InWall Storage (x2 @ \$739 ea)	1,478.00
N1A1	16" InWall Comfort Station	1,859.00
<b>Lighting</b>		
L2A1	FastTrack Track Light .....	3,899.00
<b>Patient &amp; Practitioner Seating</b>		
S1A4	EP 310 Patient Chair	7,099.00
S2A1	RGP 400-D Doctor Stool	1,129.00
S2A2	RGP 400-D Assistant Stool	1,249.00
<b>TOTAL</b>		<b>\$ 27,211.00</b>

Pricing does not include X-rays, CPU, or other supplies shown. All pricing based on standard configurations, with cabinetry & Corian in Glacier white. Prices subject to change. Call for details.

**HORIZON Workstations are covered by Ergonomic Products' 100% Satisfaction Guarantee.**

*Ask your Practice Liaison for details!*

**Buy *with* Confidence...  
Produce *with* Ease.**