

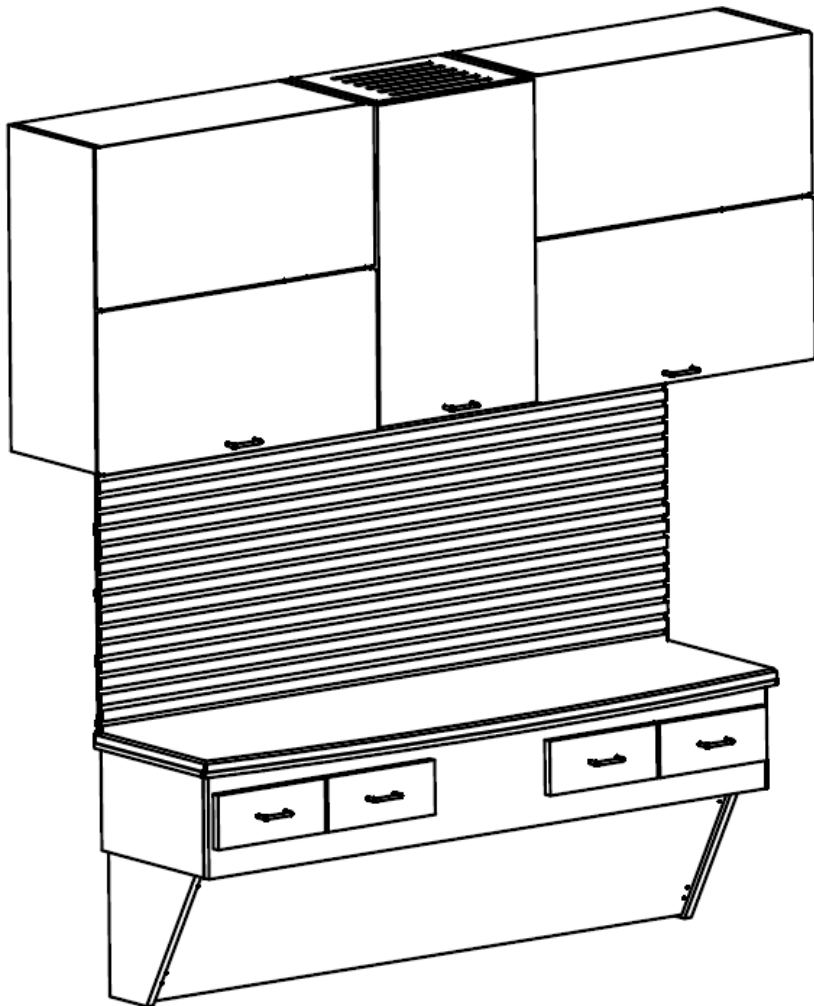


# Ergonomic Products

Performance Without Compromise®

Assembly & Installation Guide

## Manhattan Cabinet System™





**Thank you** for purchasing the Ergonomic Products Manhattan Cabinet System™

Years of research by dentists, engineers and designers have made this a uniquely effective product in the industry. We stand behind our equipment, and genuinely believe it to be the best available on the market.

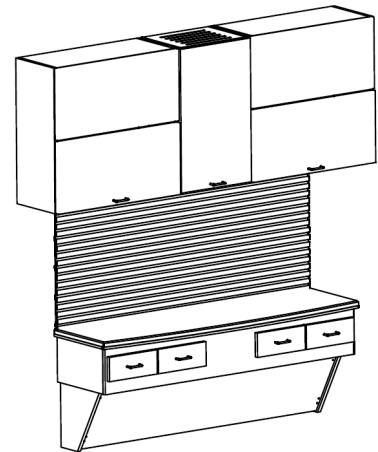
Should you have any questions regarding the product's installation or use, please don't hesitate to call our customer service specialists at **1-866-ERGO-4-US**. We may also be reached via email at [equip@ergonomic-products.com](mailto:equip@ergonomic-products.com).

We hope you enjoy the benefits and quality of your new equipment and look forward to handling your future needs as you and your practice continue to grow!

- *The Ergonomic Products Team*

## CONTENTS:

1. DIMENSION SPECIFICATIONS.....	3
2. MANHATTAN ANATOMY.....	4
3. UNPACKING AND INSPECTING.....	5
4. SUGGESTED BLOCKING METHOD.....	6
5. UTILITY LOCATIONS.....	7
6. DRY WALL CUTOUT.....	8

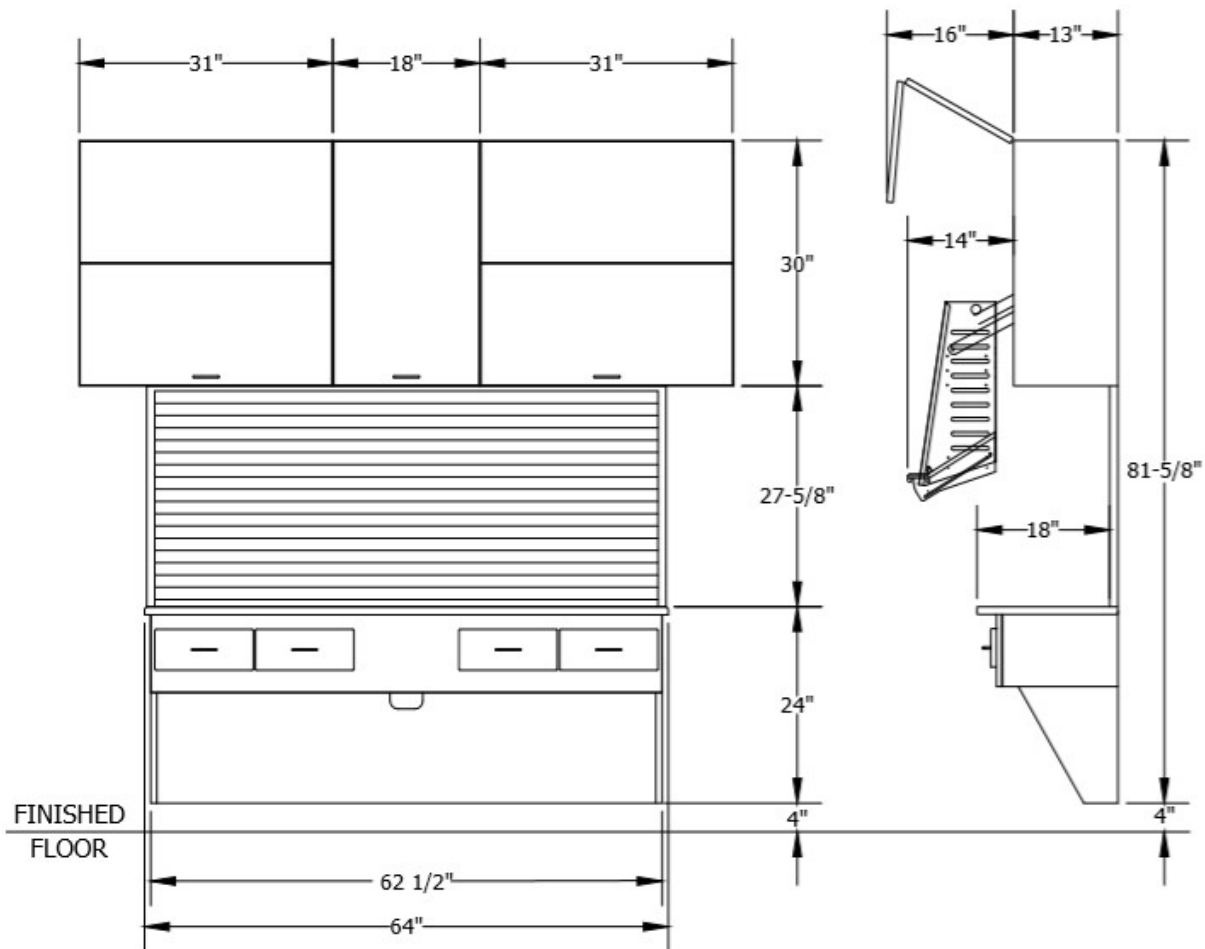


## QUESTIONS?

Call our Customer Service Specialists at:  
**1-866-ERGO-4-US**

1 – DIMENSION SPECIFICATIONS

Fig 1.1 shows the overall dimensions of the Manhattan Cabinet.

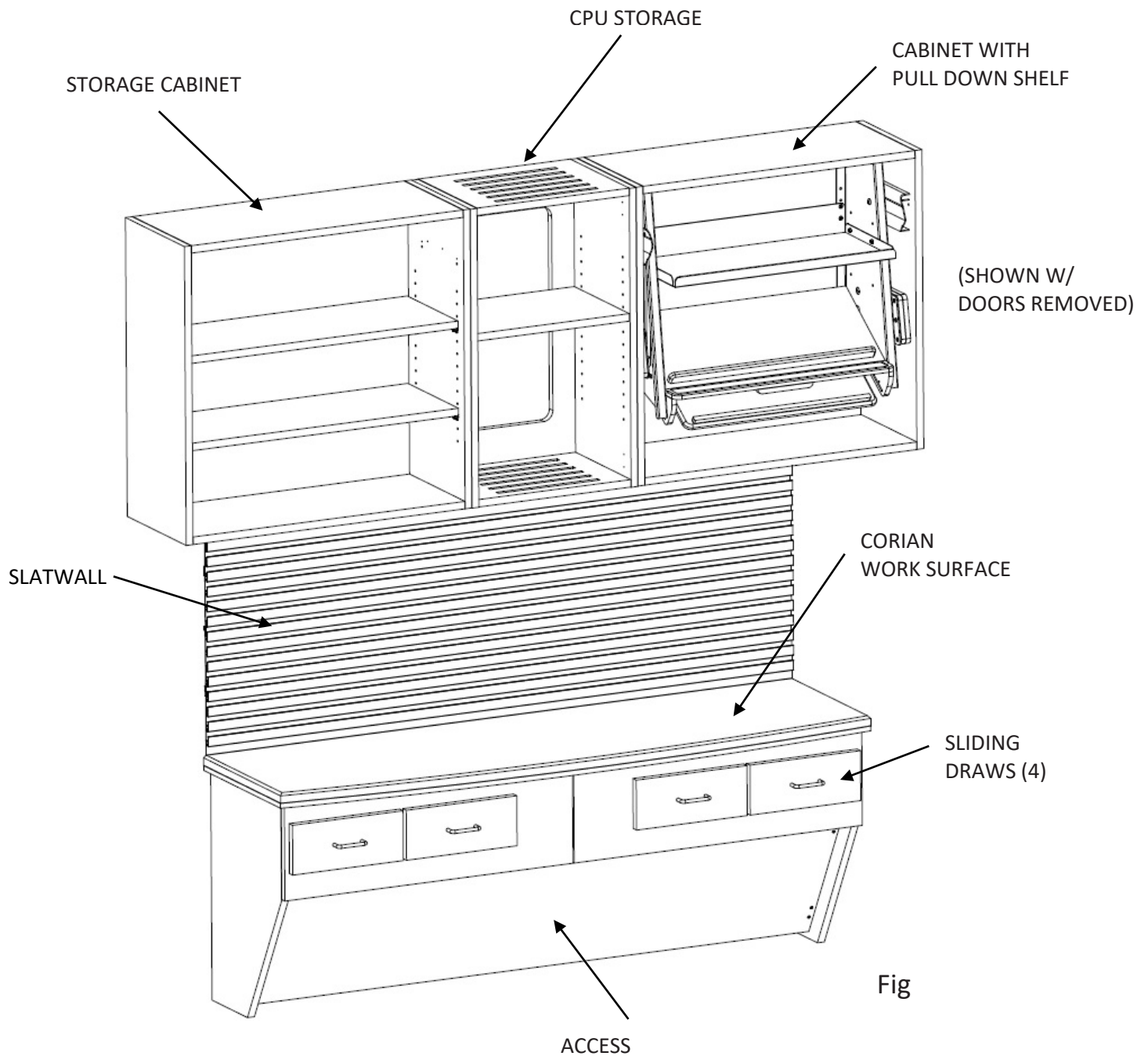


Fig



## 2 – MANHATTAN ANATOMY

Fig 2.1 shows the features of the Manhattan Upper/Lower Cabinet.



Doors removed for clarity.



### 3 – UNPACKING AND INSPECTING

#### REQUIRED TOOLS

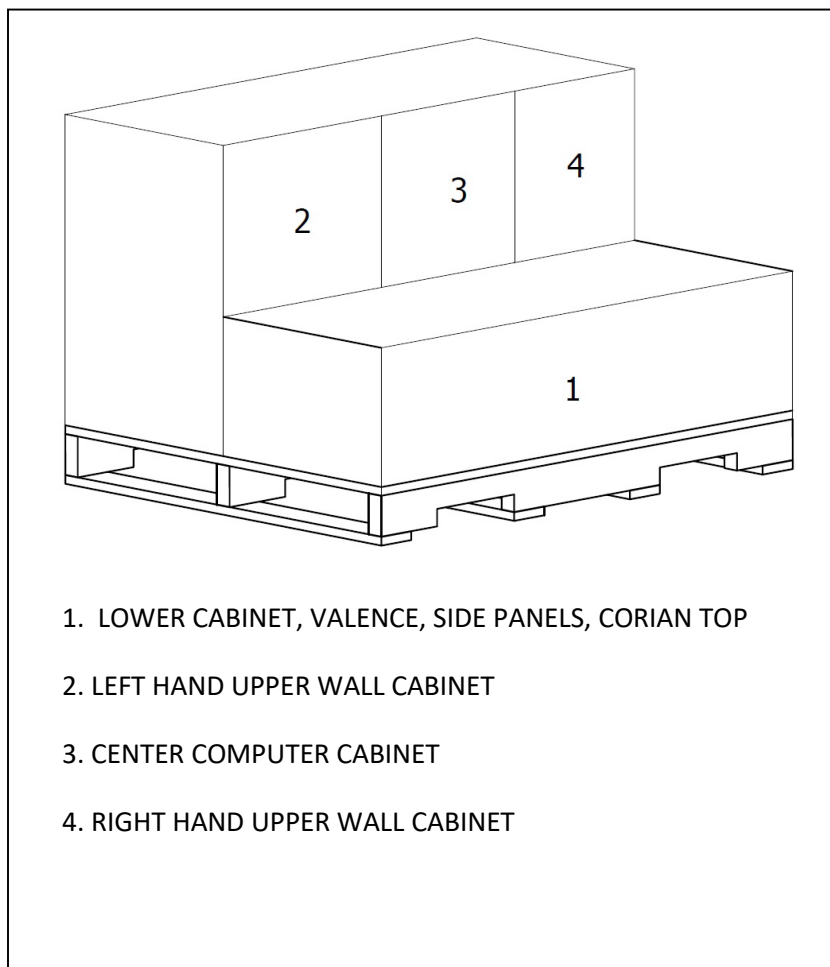
Utility Knife  
Phillips Head Screwdriver  
Electric Drill and Assorted Bits

1. Inspect shipping container (Fig 3.1) for visible damage upon arrival. If transit damage is found, contact Ergonomic Products immediately. (This will expedite the corrective process).

2. Use safe lifting procedures to free the product from the container, and remove all packing material and accessory boxes from shipping container.

3. Lay individual components on clean surface to avoid scratching, and inspect contents. If damage is found, contact Ergonomic Products immediately.

4. Be sure all accessory boxes are empty before discarding them.

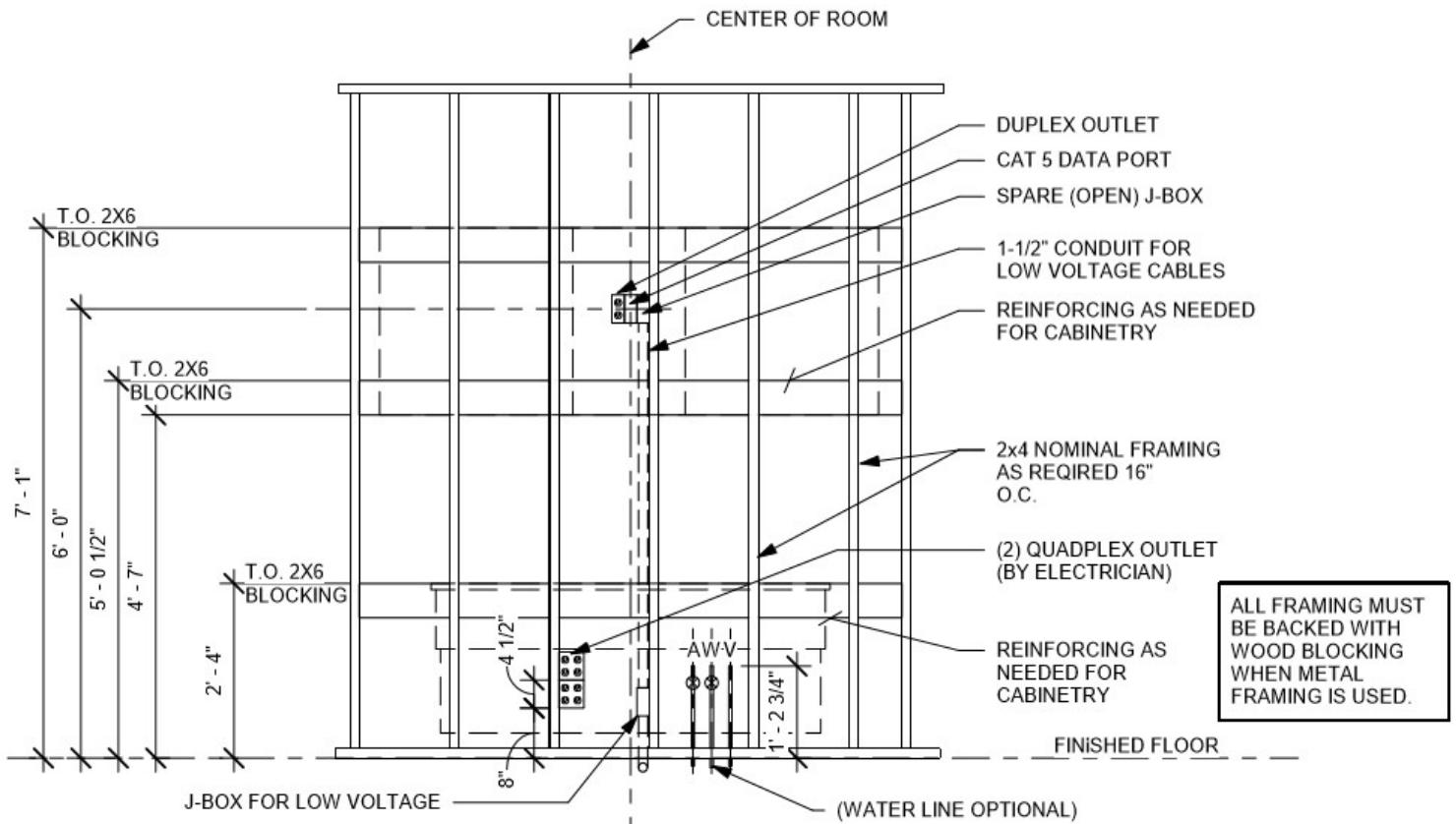


Fig



## 4 – SUGGESTED BLOCKING METHOD

Please note all dimensions (Fig 4.1) must be maintained for optimum placement of the Manhattan.

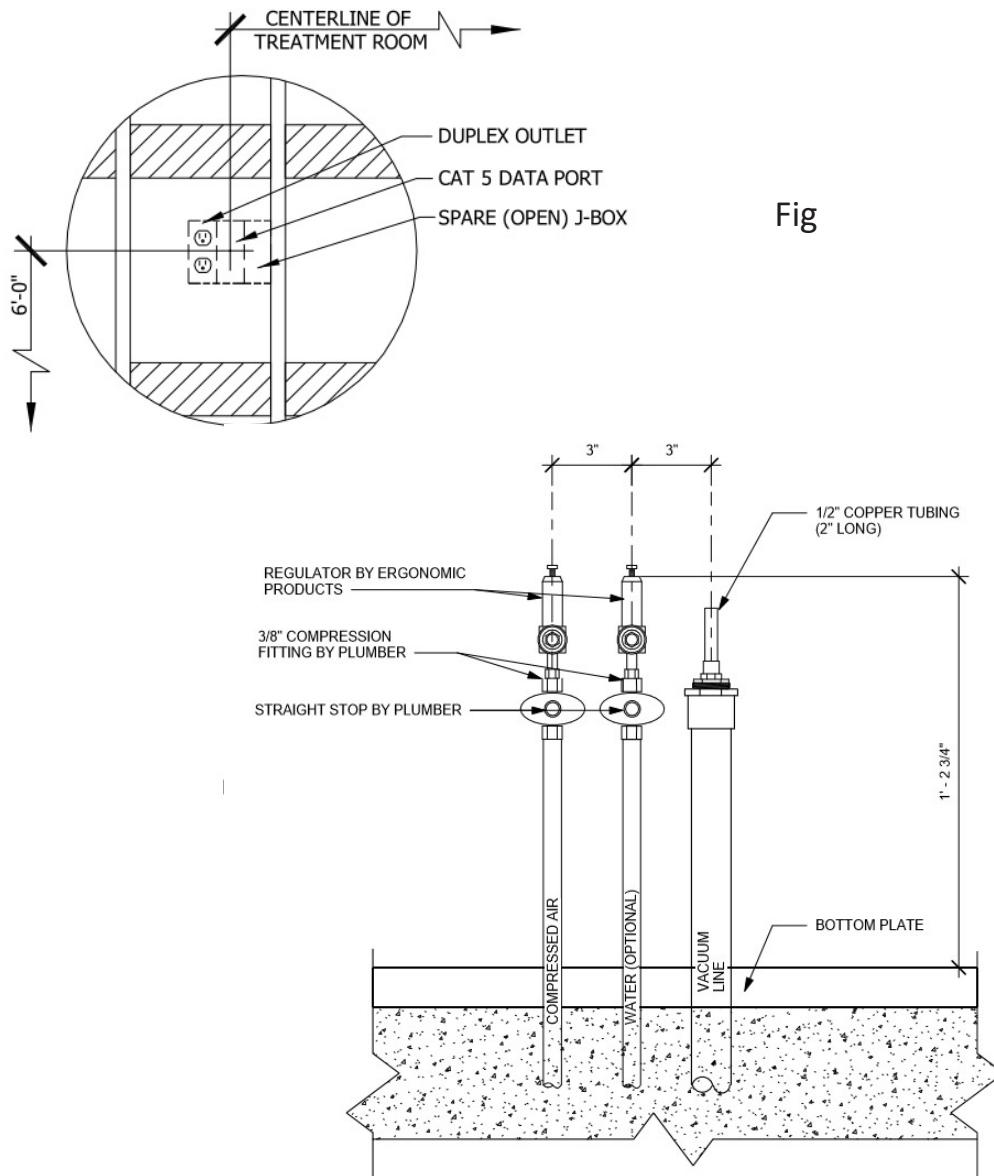


Fig



## 5 – UTILITY LOCATIONS

Please note all dimensions (Fig 5.1) must be maintained for optimum function of the Manhattan's Utilities.





**6 – DRYWALL CUTOUT**

Please note all dimensions (Fig 6.1) must be maintained in order for optimum placement of the Manhattan.

