

# Universal Workstation™ (Item D1A1)

The delivery platform that **redefined** the industry is still the **gold standard** for productivity.

Dentistry is **easier, faster, and more comfortable** with this **peak-performance** solution.



Shown with optional electric integration and additional HVE



D1A1  
Single-Tier Universal  
for Manhattan System

## Standard Clinical Features

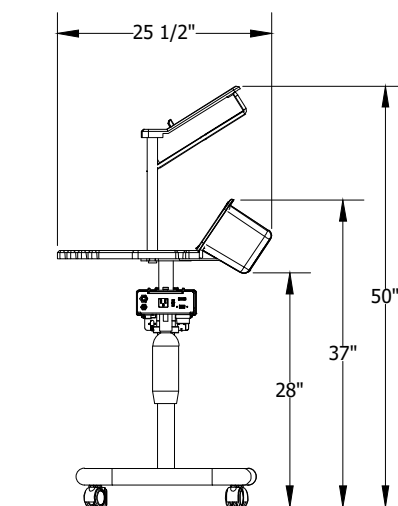
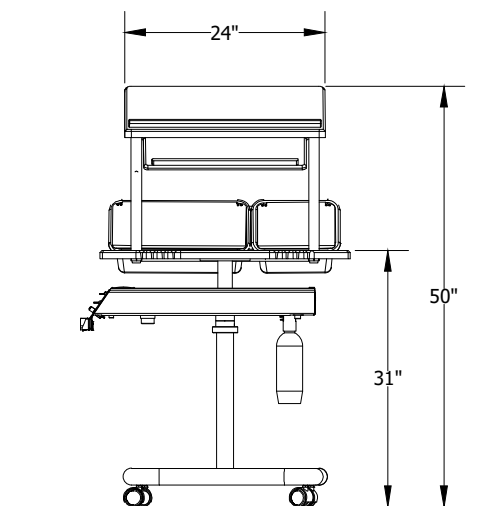
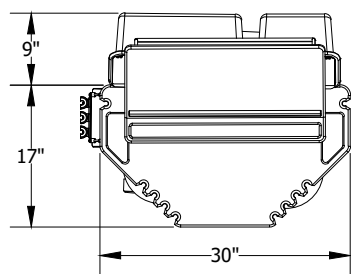
- 1 High-speed Air HP
- 1 Slow-speed Air HP
- 1 A/W Syringe
- 1 HVE
- 1 Saliva Ejector
- 10 Milled Handpiece Holders
- Auxiliary Air/Water ports
- 2 Recessed Bur Detents
- 2-liter Self-contained Water
- 1 EP MegaTub w/Side Rack
- 1 EP Consumables Bin
- 1 EP Med-Waste Bin

## Standard Configuration Features

- Large Corian Work Surface
- Second-Tier Corian Shelf
- Pivoting Power Channel for full left/right convertibility
- Retractable Keyboard
- Single-function Foot Pedal
- Umbilical Quick Connect
- Auxiliary Power/USB Ports
- Powder-coated Steel Frame
- Adjustable-height Surface
- Waste Receptacle & Shelf



## Dimensions & Utilities



### Utility Connections

A Quick Connect umbilical system is standard on the Universal to allow easy removal.

### Electrical Specifications

120v AC, 60HZ, 8A  
Cat 5 or better Data Jack (work center)

### Air / Vacuum Specifications

Air: 1/4" Dental Style Female QD, 80 psi  
Vacuum: 1/2" Copper or PVC Pipe

### Plumbing Specifications

If using a plumbed dental line feed:  
- 1/2" Cold or Dedicated Dental supply line with straight 1/4 turn-stop and 3/8" compression

## COLOR CHOICES

Corian Surface available in standard and premium EP Corian color choices.

UPGRADES - see page 15 for details

### Electric Handpiece Integration:

- Bien Air MX2 - single motor
- Bien Air MX2 - dual motors

### Scaler:

- Parkell Turbo Sensor Scaler

### Fiber Optics:

- Fiber Optics Light Source & Power Pack

### Curing Light:

- The Cure TC-01 (Spring Health)
- or - The Cure TC-24A (Spring Health)

### Water Feed:

- Plumbed Line & Bottle

### Additional Handpieces/Utilities:

- 3rd Air-driven Handpiece Hose
  - High-speed (5 or 6 hole)
  - or - Slow-speed (4 hole)
- 2nd Air/Water Syringe
- 1 Dedicated Air Syringe
- 2nd/3rd High-volume Suction

## CONFIGURATION OPTIONS

### Manhattan Style (Item D1A1)

- When used with the Manhattan Cabinet System, the second tier work surface of the Universal is relocated to pull-down shelving, as shown on opposite page. (Configuration will be noted at time of order.)

### Assistant Cart (Item D1A2)

- For Over-the-Patient and Side Delivery, an "Assistant" version of the Workstation is available without handpieces.

### Utility Cart (Item D1A4)

- Two-Tiered, mobile work surface (no handpieces, power channel, or air/water utilities)

