

Terra Workstation™ (Item D1D1)



Shown with optional bur detents
and waste receptacle & shelf

Simple, **effective**, and **economical performance** on a **moderate budget**.

The Terra Workstation eliminates our standard second tier and presents all materials, supplies and consumables on single, integrated frame. This places materials a little further away than on our two-tiered Workstations, but still solidly within the comfortable range of motion necessary to ergonomic efficiency.

Explode your **productivity...** not your **start-up costs**.

With additional streamlining to the power-channel, the Terra provides many of the ergonomic and production benefits found throughout the Ergonomic Products line, but does so at a very affordable price.

The Terra is an excellent solution for doctors launching their first practice.



Standard Clinical Features

- 1 High-speed Air
- 1 Slow-speed Air
- 1 A/W Syringe
- 1 HVE
- 1 Saliva Ejector
- 8 Milled Handpiece Holders
- 2-liter Self-contained Water
- 1 EP UltraTub
- 1 EP Consumables Bin
- 1 EP Med-Waste/Sharps Bin

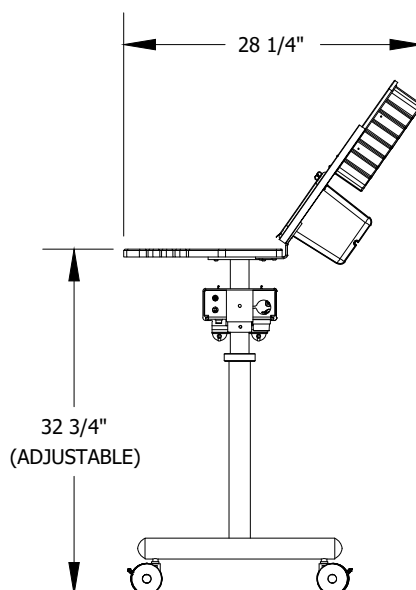
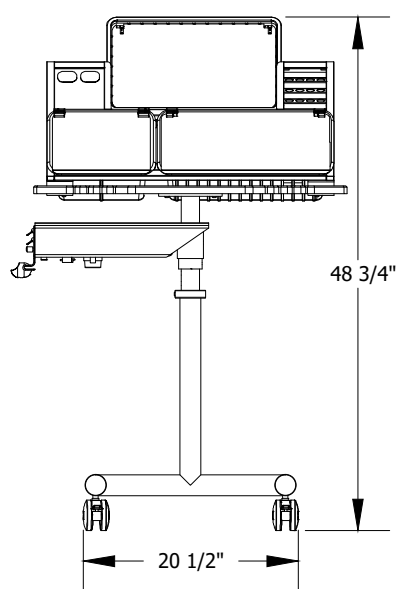
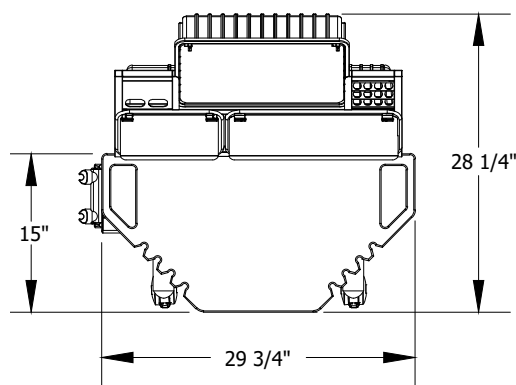
Standard Configuration Features

- Corian Work Surface
- Adjustable-height Surface
- Pivoting Power Channel for full left/right convertibility
- Single-function Foot Pedal
- Powder-coated Steel Frame



Dimensions & Utilities

Standard utilities connection for the Terra is via an umbilical with 4' pigtailed lines for connection to the headwall. However, an optional Quick Disconnect function is also available.



⚡ Electrical Specifications

120v AC, 60HZ, 8A
Cat 5 or better Data Jack (work center)

🌀 Air / Vacuum Specifications

Air: 1/4" Dental Style Female QD, 80 psi
Vacuum: 1/2" Copper or PVC Pipe

💧 Plumbing Specifications

Self-contained bottle only

COLOR CHOICES

- Corian Surface available in White only

UPGRADES - see page 15 for details

Fiber Optics:

- Fiber Optics Light Source & Power Pack

Curing Light:

- The Cure TC-01 (Spring Health)
- or - The Cure TC-24A (Spring Health)

Additional Handpieces/Utilities:

- 2nd High-volume Suction

Other Options/Upgrades:

- Waste Receptacle & Shelf
- 2 Recessed Bur Detents

Utilities Connection:

- Umbilical Quick Connect

CONFIGURATION OPTIONS

Assistant Cart (Item D1D2)

- An "Assistant" version of the Workstation is available without handpieces.

Utility Cart (Item D1D4)

- Mobile work surface (no handpieces, power channel, or air/water utilities)

