

# Stratus Workstation™ (Item D1E1)



Stratus Workstation with options

The next generation of **ergonomic efficiency** and **enhanced productivity** has arrived.

**EP Workstations** place all of your clinical needs right at your fingertips. It is *the* most efficient and ergonomic solution to a fundamental problem: **you can't use what you can't reach!**

Developed by Dr. David Ahearn, "Over-the-Head" delivery allows all materials, supplies, and instruments to be positioned within easy reach of both dentist and assistant. This reduces physical strain, and dramatically increases clinical efficiency by eliminating wasted motions.

**The Stratus** takes this **simple but profound truth** to the next level, creating a workspace of **unprecedented capability**.

With an expansive work surface, unfettered accessibility, left/right convertibility, and industry leading durability, the Stratus is designed for the true power user; clinicians who understand that an exceptional delivery unit will vault production revenue to new heights.

See the following pages for Standard Features, Options & Alternative Configurations

The Stratus above is shown with options including electric handpiece integration and scaler.

Materials, supplies, and consumables shown in product images are not included. Ask your Practice Liaison for details.





## Standard Clinical Features

- 1 High-Speed Air HP
- 1 Low-Speed Air HP
- 3rd Air HP (High or Low)
- 1 A/W Syringe
- 2 HVE
- 1 Saliva Ejector
- “The Cure”, 4-Diode Cure Light (standard, upgrade available)
- 12 Milled Handpiece Holders
- Auxiliary Air/Water ports
- 2 Recessed Bur Detents
- 2-liter self-contained Water
- 1 EP UltraTub w/Side Rack (pictured left with MegaTub)
- 1 EP Consumables Bin
- 1 EP Med-Waste Bin

## Standard Configuration Features

- Large Corian Work Surface
- Second-Tier Corian Shelf
- Pivoting Power Channel for full left/right convertibility
- Retractable Keyboard
- Single-function Foot Pedal
- Umbilical Quick Connect
- Auxiliary Power/USB Ports
- Powder-coated Steel Frame
- Adjustable-height Surface
- Waste Receptacle & Shelf



## COLOR CHOICES

- Corian Surface available in standard and premium EP Corian color choices.

## UPGRADES - see page 15 for details

### Electric Handpiece Integration:

- Bien Air MX2 - single motor
- Bien Air MX2 - dual motors

### Scaler:

- Parkell Turbo Sensor Scaler

### Fiber Optics:

- Fiber Optics Light Source & Power Pack

### Curing Light:

- The Cure TC-01 (Spring Health)
- or - The Cure TC-24A (Spring Health)

### Water Feed:

- Plumbed Line & Bottle

### Additional Utilities:

- 2nd Air/Water Syringe
- 1 Dedicated Air Syringe
- 3rd High-volume Suction

## CONFIGURATION OPTIONS

### Assistant Cart (Item D1E2)

- For Over-the-patient and Side Delivery, an “Assistant” version of the Workstation is available without handpieces.

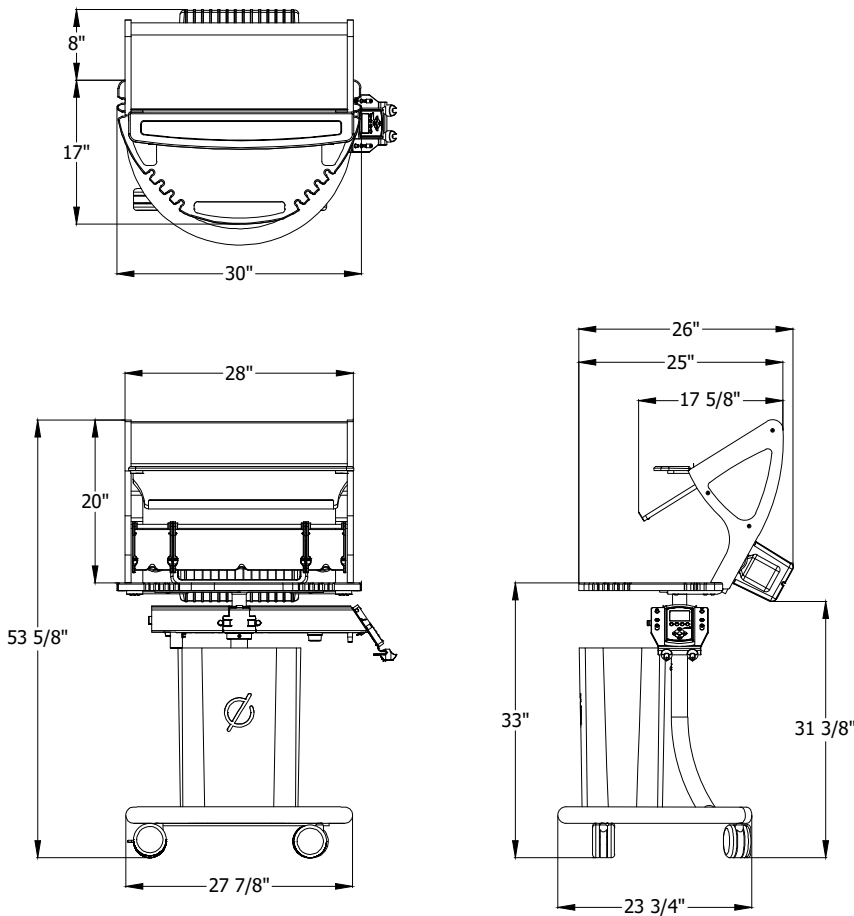
### Utility Cart (Item D1E4)

- Two-Tiered, mobile work surface (no handpieces, power channel, or air/water utilities)



# Stratus Workstation™ (Item D1E1)

## Dimensions & Utilities



### Utility Connections

Cart-based Workstations supply air, water, vacuum, electric, and data via a utilities umbilical. In most standard configurations, this umbilical is equipped with a Quick Connect system to allow for easy removal.

The utility specifications below will also be referenced in individual Headwall or Work Center products.

### Electrical Specifications

120v AC, 60HZ, 8A  
Cat 5 or better Data Jack (work center)

### Air / Vacuum Specifications

Air: 1/4" Dental Style Female QD, 80 psi  
Vacuum: 1/2" Copper or PVC Pipe

### Plumbing Specifications

If using a plumbed dental line feed:  
- 1/2" Cold or Dedicated Dental supply line with straight 1/4 turn-stop and 3/8" compression

## Ideal Room Location

### OVER-THE-HEAD DELIVERY

When we say our delivery systems "redefined the industry", we mean it in the literal sense.

The principles and equipment developed by Dr. Ahearn were recognized by the ADA in 2004 as providing a fourth, distinct method of delivery, joining Rear, Over-the-Patient and Side delivery.

Standard installation of the Stratus Workstation is with dual head-entry rooms, paired with the Universal Headwall.

In contrast, Toe-entry rooms will typically utilize a single-tiered version of our Universal Workstation (see page 16) paired with our Manhattan Cabinet Systems, which place the second tier out of sight on a hydraulic pull-down (pp.44 & 46). This provides expanded storage and a better appearance for Surgical/ Sedation rooms.

