

Small Room Solutions Workstation™ (Item D1C1)



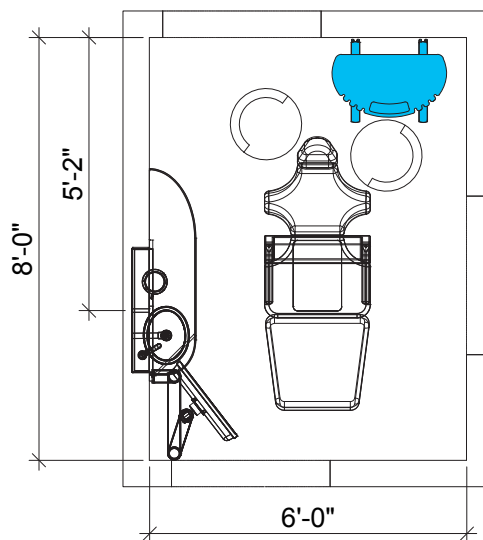
Shown with optional scaler

Because a Small Operatory is **better** than No Operatory.

Sometimes, “small” is all you’ve got to work with, whether it’s a converted doctor’s office, a reclaimed store room, or even a closet! However, you don’t have to let a space restriction prevent you from achieving your capacity goals!

Whatever your circumstance, if you need to create high-performance operatory in a tiny space, the Ergonomic Products’ SRS Workstation is the pinnacle of compact delivery and support systems.

With the smallest footprint of any free-standing delivery system on the market, the Compact Cart provides the exceptional performance of a standard EP Workstation in a fraction of the space.



Standard Clinical Features

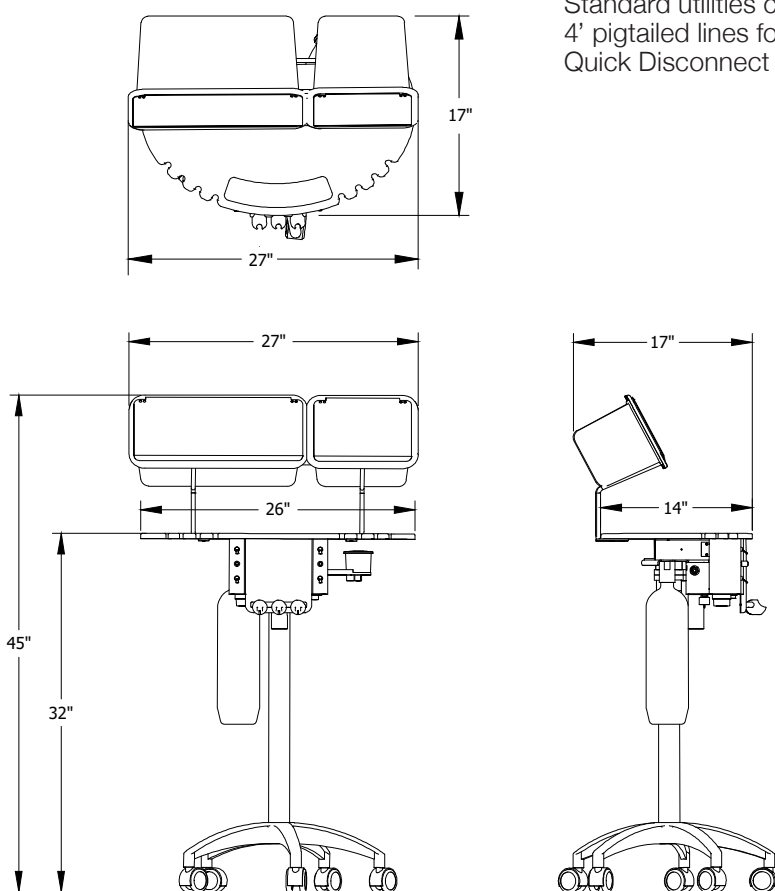
- 1 High-speed Air
- 1 Slow-speed Air
- 1 A/W Syringe
- 1 HVE
- 1 Saliva Ejector
- 8 Milled Handpiece Holders
- 1 Recessed Bur Detent
- 2-liter Self-contained Water
- 1 EP Consumables Bin
- 1 Med-Waste/Sharps Bin

Standard Configuration Features

- Large Corian Work Surface
- Stable 5-wheel Base
- Adjustable-height Surface



Dimensions & Utilities



Standard utilities connection for the SRS is via an umbilical with 4' pigtailed lines for connection to the headwall. However, a Quick Disconnect function is available.

⚡ Electrical Specifications

120v AC, 60HZ, 8A
Cat 5 or better Data Jack (work center)

🌀 Air / Vacuum Specifications

Air: 1/4" Dental Style Female QD, 80 psi
Vacuum: 1/2" Copper or PVC Pipe

💧 Plumbing Specifications

Self-contained bottle only

COLOR CHOICES

Corian Surface available in standard and premium EP Corian color choices.

UPGRADES - see page 15 for details

Scaler:

- Parkell Turbo Sensor Scaler
(Utilizes separate foot pedal)

Fiber Optics:

- Fiber Optics Light Source
& Power Pack

Curing Light:

- The Cure TC-01 (Spring Health)
- or - The Cure TC-24A
(Spring Health)

Additional Handpieces/Utilities:

- 2nd Air/Water Syringe
- 1 Dedicated Air Syringe
- 2nd High-volume Suction

CONFIGURATION OPTIONS

Utility Cart (Item D1C4)

- Mobile work surface (no handpieces, power channel, or air/water utilities)

