

Manhattan Cabinet System™ (Items C1C1, M3D1 & C2C1)



Shown with options. Monitor & accessories not included.

Present patients with a **clean, welcoming** look upon entry to the operatory – without sacrificing **productivity and efficiency**.

Standard Features

C1C1 - Manhattan Upper Cabinet

- Pull-down Shelf with Corian Work Surface and Keyboard Slide acts as a second tier for the Universal Workstation
- Second hydraulic pull-down
- Monitor Mounting Bracket (monitor not included)

M3D1 - Slat Wall

- Over 11 sq ft of Slat Wall to display and store accessory materials.

C2C1 - Manhattan Lower Cabinet

- Over 7 sq ft of solid Corian Work Surface
- 4 Storage Drawers
- Quick Connect Umbilical Port (standard)
- Utility Access Panel

CONFIGURATION, UPGRADE and COLOR CHOICES

Pull-down Shelving Configuration and Options:

- Corian Pull-down on RIGHT / Basic Pull-down on left
- or - Corian Pull-down on LEFT / Basic Pull-down on right
- or - Corian Pull-downs on both sides. Upgrade, Item #160-120.
(This option is needed for complete Left/Right convertibility.)

Cabinet Color/Finish Selection:

- Cabinet available in standard EP color choices.
- or - Upgrade to woodgrain finish. (Standard EP selections)

Corian Work Surface:

- Corian available in standard and premium EP Corian color choices.

Utility Configuration

- Standard Umbilical Quick Connect
- or - Utility Plate and Clamp-mount for 3rd party utilities

Optional Sink Upgrade for C2C1 Lower Cabinet

Sink option includes stainless steel sink & chrome faucet.

The Universal Headwall above is shown with a range of Slat-Wall accessories. Ergonomic Products offers the items below, and others are available from a variety of resellers.

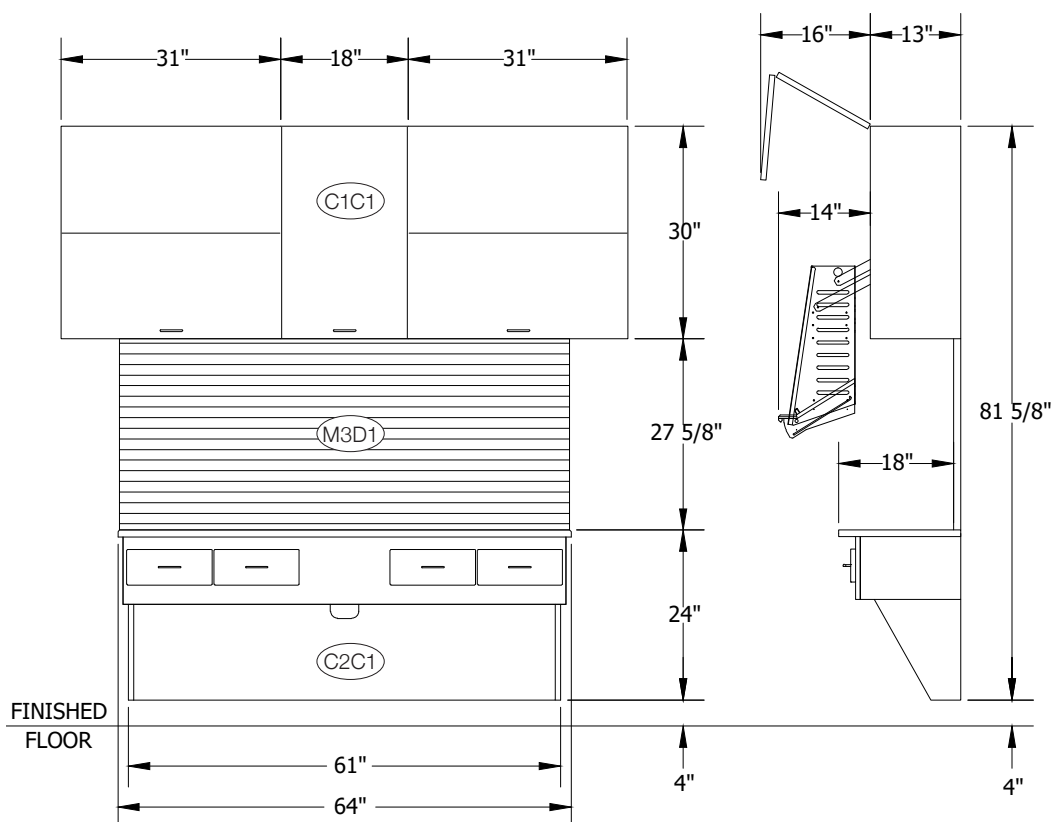
- Med-waste Bracket
- Remote Control Holder
- Sanitation Wipes Holder
- Pad & Pen Holder
- "Goodie Bag" Brackets
- Printer Shelf
- Monitor Bracket
- Single or Triple Glove Box Holders

See page 92 for details.





Dimensions & Utilities



⚡ Electrical Specifications

120v AC, 60HZ, 8A
Cat 5 (or better) Data Jack

🌀 Air / Vacuum Specifications

Air: 1/4" Dental Style Female QD, 80 psi
Vacuum: 1/2" Copper or PVC Pipe

💧 Plumbing Specifications

Dental Line feed:
- 1/2" Cold or Dedicated Dental supply line with straight 1/4 turn-stop and 3/8" compression

If C2C1 is purchased with Sink -

Sink feed:
- 1/2" Hot & Cold domestic supply lines with straight 1/4 turn-stop and 3/8" compression
- 1-1/2" DWV with P-Trap

Ideal Room Location

The Manhattan Cabinet System is most effective when used in a single-entry / toe-entry operator, in conjunction with a single-tier Universal Workstation.

Used this way, much of the supplies and materials associated with treatment are removed from the patient's view on entry.

If ordered with a second Corian Pull-down shelf, the unit may be quickly converted from right-handed to left-handed use.

