

Horizon Workstation™ (Item D1B1)



Shown with optional keyboard slide, and waste receptacle & shelf

The **Horizon Workstation** is an **exceptional delivery platform** for the budget conscious doctor who demands **high-performance** at an **attractive price**.

This delivery system presents our **key design principles** – consolidated supplies, enhanced ergonomics, left/right convertibility – in a slightly **smaller profile**.

With a broad range of custom options the **efficient and productive** Horizon Workstation is one of the **best values** in the industry today.



Standard Clinical Features

- 1 High-speed Air
- 1 Slow-speed Air
- 1 A/W Syringe
- 1 HVE
- 1 Saliva Ejector
- 2 Recessed Bur Detents
- 10 Milled Handpiece Holders
- 2-liter Self-contained Water
- 1 EP UltraTub
- 1 EP Consumables Bin
- 1 EP Med-Waste/Sharps Bin

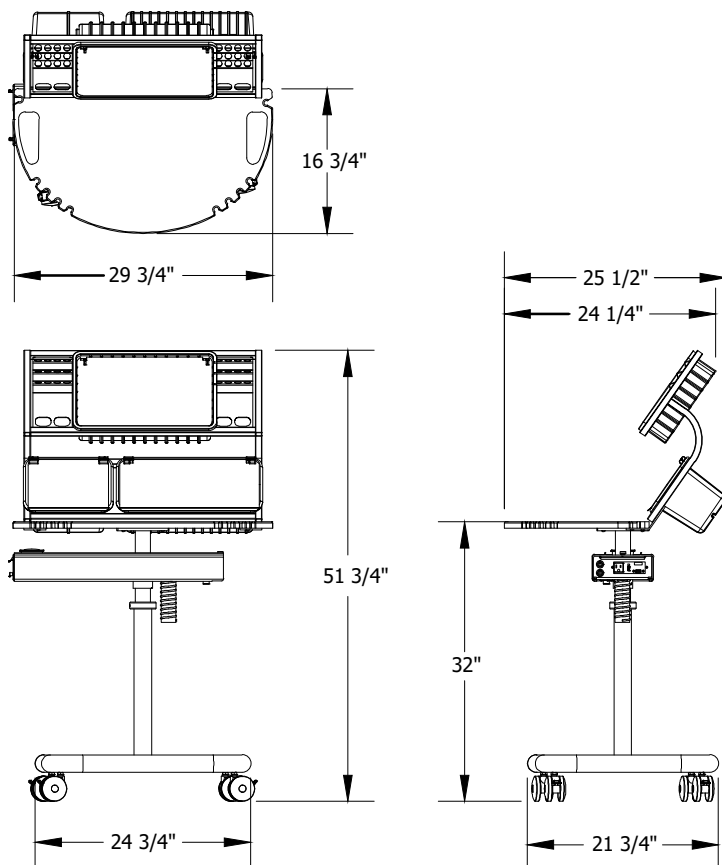
Standard Configuration Features

- Large Corian Work Surface
- Adjustable-height Surface
- Pivoting Power Channel for full left/right convertibility
- Single-function Foot Pedal
- Powder-coated Steel Frame





Dimensions & Utilities



Standard utilities connection for the Horizon is via an umbilical with 4' pigtailed lines for connection to the headwall. However, a Quick Disconnect function is available.

Pre-wiring the power channel to receive an integrated Scaler (see below) is also an option.

⚡ Electrical Specifications

120v AC, 60HZ, 8A
Cat 5 or better Data Jack (work center)

🌀 Air / Vacuum Specifications

Air: 1/4" Dental Style Female QD, 80 psi
Vacuum: 1/2" Copper or PVC Pipe

💧 Plumbing Specifications

If using a plumbed dental line feed:
- 1/2" Cold or Dedicated Dental supply line with straight 1/4 turn-stop and 3/8" compression

COLOR CHOICES

Corian Surface available in standard and premium EP Corian color choices.

UPGRADES - see page 15 for details

Scaler:

(not compatible with keyboard slide)

Parkell Turbo Sensor Scaler

Fiber Optics:

Fiber Optics Light Source
& Power Pack

Curing Light:

The Cure TC-01 (Spring Health)
 - or - The Cure TC-24A (Spring Health)

Water Feed:

Plumbed Line & Bottle

Additional Handpieces/Utilities:

3rd Air-driven Handpiece Hose
 High-speed (5 or 6 hole)
 - or - Slow-speed (4 hole)
 2nd Air/Water Syringe
 1 Dedicated Air Syringe
 2nd/3rd High-volume Suction

Utilities Connection:

Umbilical Quick Connect

Other Options/Upgrades:

Waste Receptacle & Shelf
 Slide-out Keyboard Shelf
 Auxiliary Air/Water Ports
 Auxiliary Power/USB Ports

CONFIGURATION OPTIONS

Assistant Cart (Item D1B2)

An "Assistant" version of the Workstation is available without handpieces.

Utility Cart (Item D1B4)

Mobile work surface (no handpieces, power channel, or air/water utilities)

