

FastTrack LS™ (Item L2A1)



Our intraoral light head, on a **simple, compact & reliable** track for **exceptional lighting** at an **affordable price**.

TBL
co

FastTrack LS™

The FastTrack LS is an extremely cost-effective track-light that provides high-quality features at a very attractive price.

Designed with industry-leading, tuneable wave-length LED output, the FastTrack LS provides enhanced visual acuity while reducing heat generation and lowering energy costs.

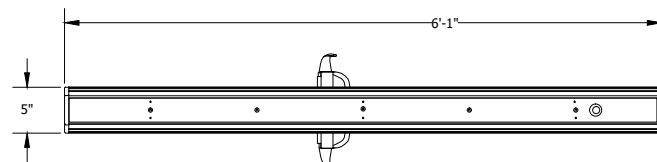
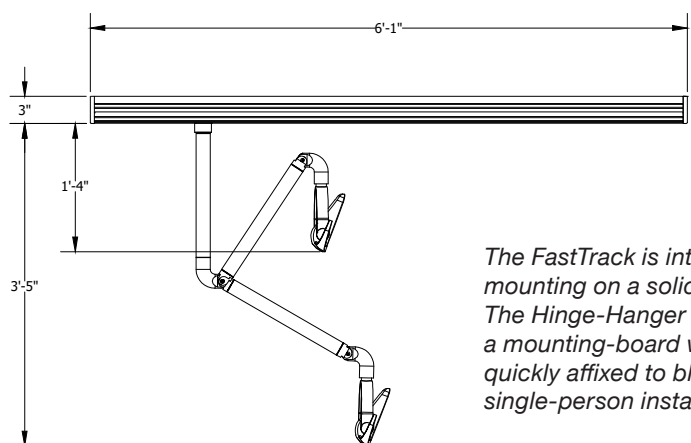
And our touchless light controls make asepsis management as simple as a wave of the hand!

With its milled aluminum trolley, single-piece extrusion body, 360° arm-rotation and an advanced igus® cable management system, this light is built to out-perform – and out-last – the competition.

Standard Features

- All LED lighting
- 7000-32000 lux Intraoral light
- Built-in touchless On/Off control
- Tune-able wave-length allows intraoral use with a range of curable composites
- 360° Light-arm rotation
- Single-piece aluminum extrusion Body
- Milled billet aluminum Trolley
- Industry exclusive igus® cable management prevents cord binding and wear

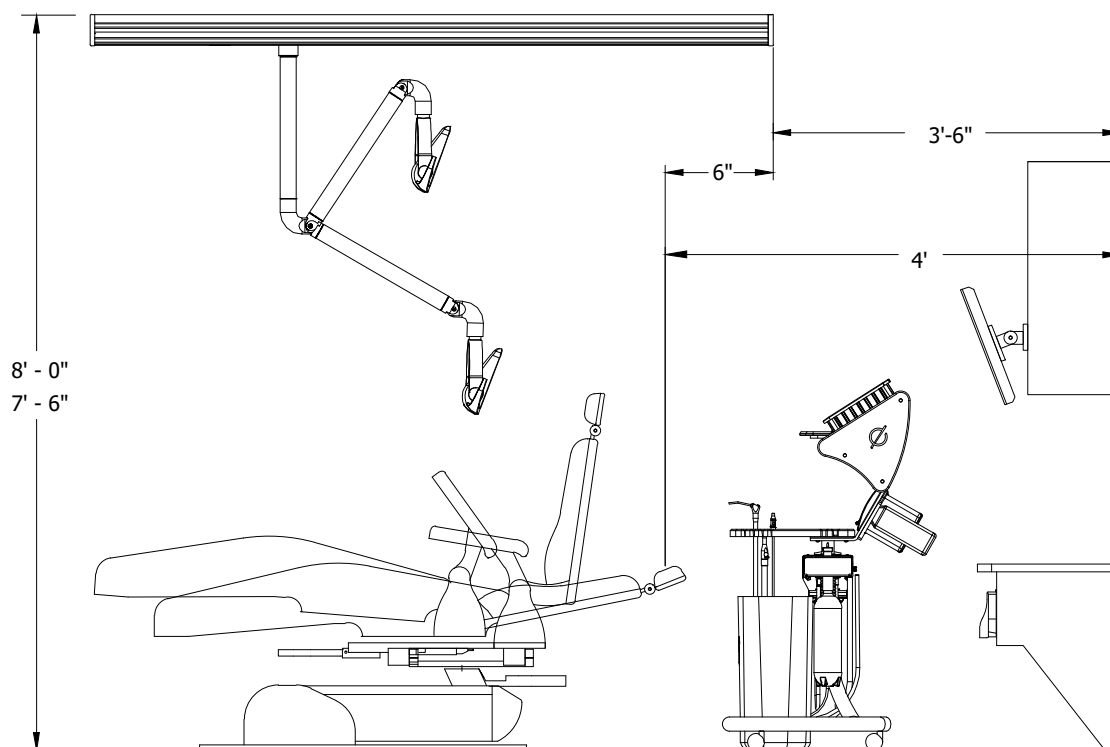




The FastTrack is intended for mounting on a solid, flat ceiling. The Hinge-Hanger system includes a mounting-board which may be quickly affixed to blocking allowing single-person installation.

⚡ Electrical Specifications
120v, 60hz
10w
Color Temp: 4000k & 5500k

Ideal Room Location



The FastTrack is intended for center-line mounting in the operator.

The layout above is represents a typical EP Workstation-equipped operator. Headwall-to-Track distances may vary in other environments. If so, position light based on reclined patient chair head-rest as indicated.