

Aurora LS™ (Item L1A1)

TBL_{co}

All-in-one
functionality that
is **brilliant**
in every sense
of the word.



Aurora LS™

A truly exceptional lighting solution addresses both clinical needs and patient comfort – which is why Ergonomic Products has developed the TBLco brand (“The Best Light”), and bring you the Aurora LS.

The Aurora LS is the industry’s only fully integrated light incorporating full room, spot, and intraoral lighting with patient media. This unit condenses all illumination needs into a single, elegant fixture.

The Aurora’s dimmable room strips cast light both up and to the sides for an even, reflected coverage, making patients more comfortable and reducing clinician eye strain.

Using all LED lights, the Aurora LS is significantly more energy efficient than comparable products, generates less heat, and conforms to the most stringent state regulations.

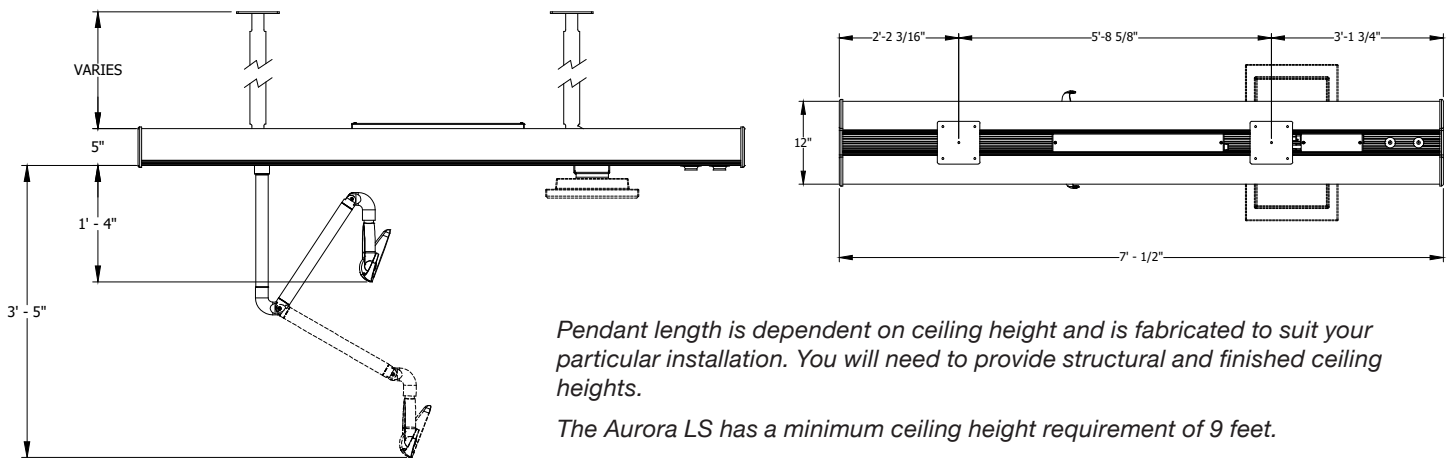
Standard Features

- All LED lighting
- 7000-32000 lux Intraoral Light
- Built-in touchless On/Off control
- Tuneable wave-length allows intraoral use with a range of curable composites
- Continuous 360° Light-arm rotation
- Dimmer-controlled, reflected General Lighting for an improved patient experience
- 2 high-intensity Task Lights, with independent direction and focus adjustment
- Industry exclusive igus® cable management prevents cord binding and wear
- Adjustable VESA 100 Monitor Bracket





Dimensions & Specifications



Pendant length is dependent on ceiling height and is fabricated to suit your particular installation. You will need to provide structural and finished ceiling heights.

The Aurora LS has a minimum ceiling height requirement of 9 feet.

⚡ The Aurora LS Track Light has 4 individual circuits as listed below:

LED General Room Lighting:

120v, 60hz
198w*
Color Temp: 5000k
Dimmable: 0-10vΩ

LED Oral Cavity Light:

120v, 60hz
10w
Color Temp: 4000k & 5500k
Dimmable: No

LED Task Lighting (2):

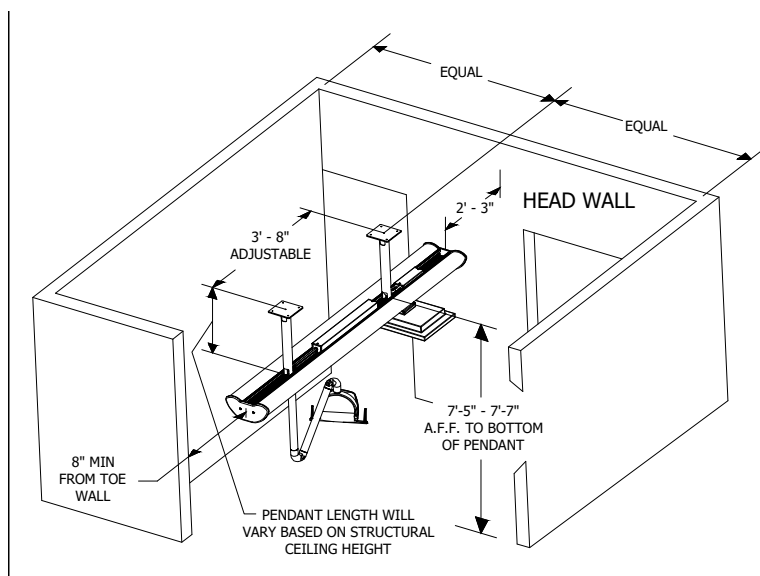
120v, 60hz
8w, 3-4vdc, 680mA
Color Temp: 4000k
Dimmable: No

TV Outlet:

120v, 60hz
300w

*reducible to 120w for CA 24 compliance

Ideal Room Location



The Aurora LS is intended for center-line mounting in the operatory.

As a reflected-light system, it requires pendant mounting. Ideal height from floor to the bottom of the pendant plate is between 7'5" and 7'7".

