

Arc™ Over the Patient Delivery™ (Item D3A1)



Shown with optional cure light and scaler

Gain the efficiency of our **advanced operatory designs** – but keep the comfortable familiarity of **Over the Patient** handpiece positioning.

Ergonomic Products now brings you the best of both worlds with our OTP delivery unit, which is fully compatible with our 3-Series patient chairs.

Durable construction & flexible **options** keep your **productivity soaring**.



Standard Features

- 1 High-speed Air
- 1 Slow-speed Air
- 1 A/W Syringe
- 2-liter Self-contained Water supply
- Magnetically-held Work Tray - the largest on the market
- Powered Arm Break
- Full arm rotation for immediate left/right conversion

UPGRADES - see page 15 for details

Curing Light:

- The Cure TC-01 (Spring Health)
- or - The Cure TC-24A (Spring Health)

Fiber Optics:

- Fiber Optics Light Source & Power Pack

Integrated Scaler:

- Woodpecker scaler

Additional Handpieces/Utilities:

- 3rd Air Handpiece (High or Low)
- 2nd A/W Syringe

Water Feed:

- Plumbed Line & Bottle

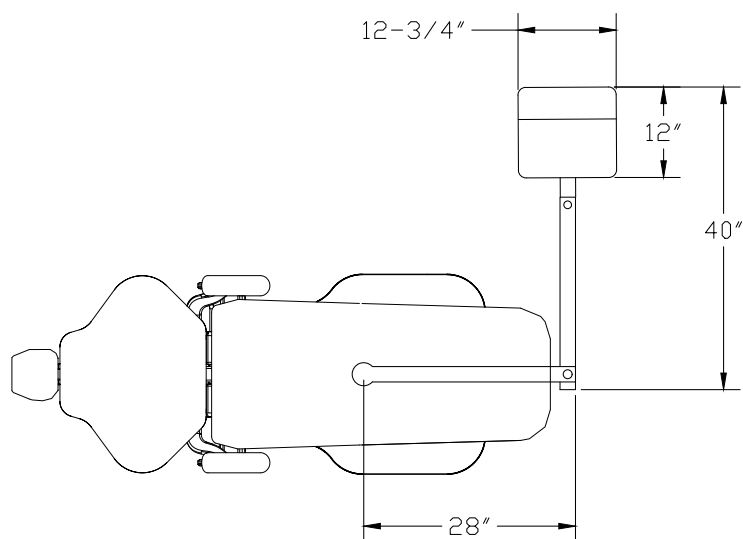
Other Options/Upgrades:

- Rack-mounted Consumables Bin



Dimensions & Utilities

Standard utilities connection for the Terra is via floor box.



⚡ Electrical Specifications

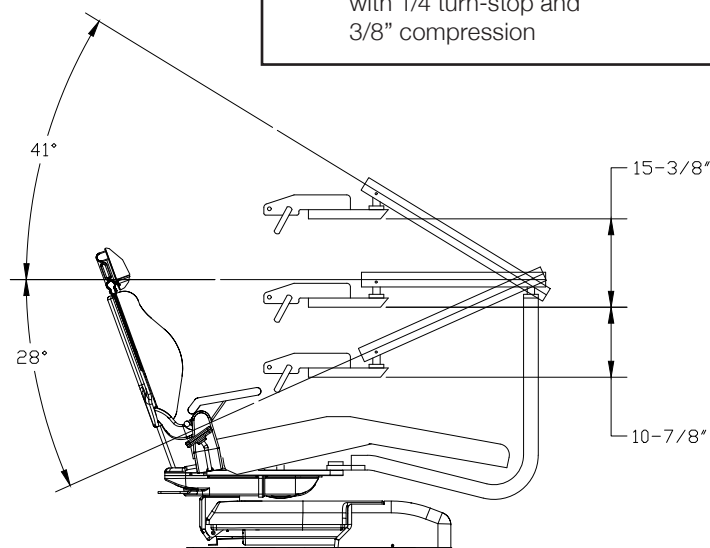
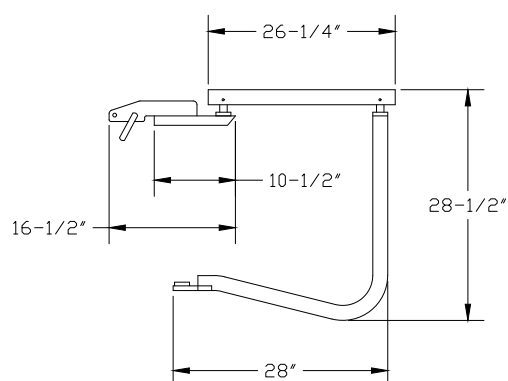
120v AC, 60HZ, 8A

🌀 Air Specifications

Air: 1/4" compression fitting, 80 psi

💧 Plumbing Specifications

If using a plumbed dental line feed:
- Dedicated Dental supply line
with 1/4 turn-stop and
3/8" compression



Recommended Configurations

Full-Function Treatment Rooms:

We recommend adding an **Assistant Cart** to supply suction, treatment materials, consumables, and additional work surface during treatment. This places all necessary materials right where you need them – *at your fingertips* – for high-performance, ergonomic productivity. Whether 2-handed or 4-handed, staging your operatory this way will provide **maximum flexibility and treatment efficiency**.

Assistant Cart versions are available for most Ergonomic Product Workstation models, **allowing you to achieve the level of productivity your practice demands**.

Hygiene Rooms:

For *dedicated* hygiene-only rooms, we offer a rack-mounted **EP Consumables Bin**, internal scaler and available chair-mounted suction utilities as shown right. **Note:** Only available with EP Chair.

