

3-Series™ Patient Chair

Heat, Massage & Traverse for the best possible patient and clinician experience.

When your patients' comfort is job one, why would you want anything less than the **most comfortable, feature-rich** chair on the market?



CONFIGURATION

Function:

- EP 390 - Heat, Massage & TraverseItem S1A1
- EP 370 - Traverse OnlyItem S1A2
- EP 330 - Heat & Massage OnlyItem S1A3
- EP 310 - No Heat, Massage or TraverseItem S1A4

OPTIONS

- Self-tensioning Arm Slings
- 2nd Chair Control Touchpad
- Foot Control Pedal
- 2" Accessory Mounting Post
- Junction Box

COLOR CHOICES & STITCHING

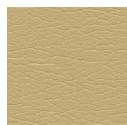
Upholstery:

- Seamless, for a sleek, easy-to-clean appearance well suited to the dental environment (as shown above)
- or - Upgrade to Decorative Contour Stitching as shown on following page (Tri-tone color not currently available)

Upholstery is available in over 60 shades of high-performance Ultraleather. Swatch-cards available.



291-3599 Almond



291-3851 Chamois



291-3602 Stone



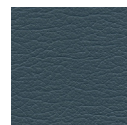
291-4314 Herbal Mist



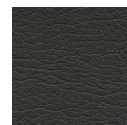
291-4454 Sonora



291-2552 Riviera



291-2509 Poseidon



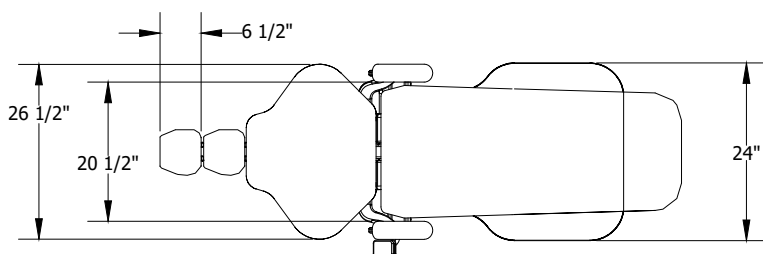
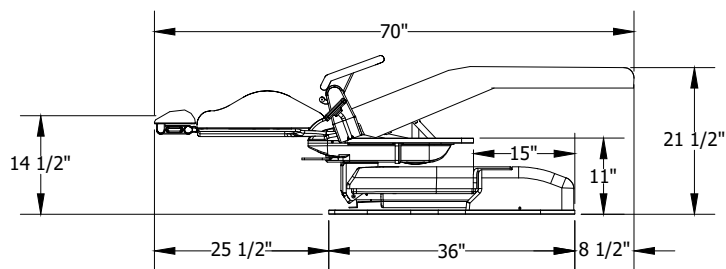
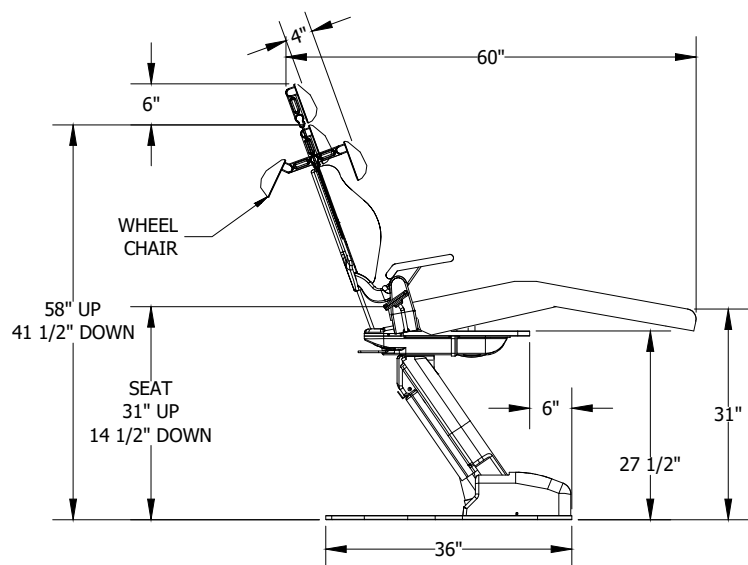
291-5607 Raven Wing

...and dozens more!





Dimensions, Features & Specifications



Absolutely the most feature-rich chair on the market, the EP 390 was designed to consolidate the best-in-class features appearing over the past 3 decades.

With focused attention to the details of patient comfort and practitioner ease-of-use, the EP 390 will redefine your perspective on seating.

Standard Features

- Heated base
- Lower lumbar massage
- 10-1/4" Traverse length for perfect positioning
- Memory Foam support
- Rich Ultraleather® upholstery
- Hydraulic lift
- Audio inputs

Electrical Specifications

- 120v Duplex Outlet
- Audio line (if desired)

