

# 24" InWall™ Storage (Item N2B1)



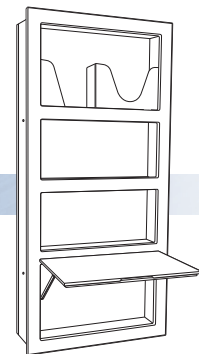
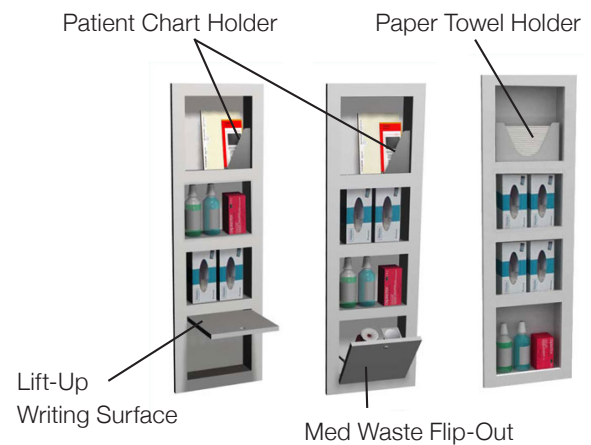
Shown with optional  
Flip-up Writing Surface

**Expand** bulk storage space & accessibility to frequently used items in the operator – **without impacting the footprint!**

## Standard Features

- Impact resistant, seamless Face Frame
- Bulk storage specifically designed to hold standard glove boxes

## Accessories/Options



Shown with Optional Chart Holder, Paper Towel Holder and Flup-up Writing Surface

## ACCESSORIES & CONFIGURATION UPGRADES

### Accessories:

- Paper Towel Holder
- Patient Chart Holder

### Configuration Upgrades:

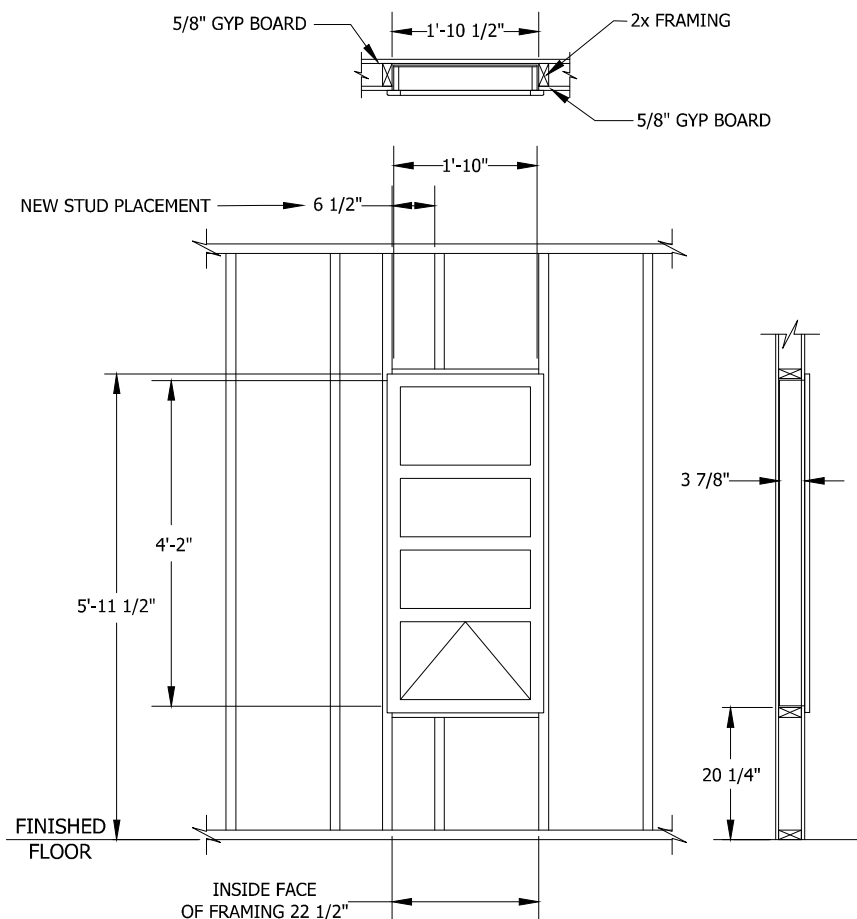
- Flip-up Writing Surface
- or - Med-Waste Flip-out

## COLOR CHOICES

- Face Frame and interiors available in standard EP color choices.
- or - Upgrade to woodgrain finish interiors with matching Face Frame paint. (Standard EP woodgrain finishes)



## Dimensions



## Ideal Room Location

The primary location for 24" InWall Storage units is in the operator, on the right-hand side of the headwall. Placing the centerline of the unit directly in line with the head of the patient chair typically provides the assistant with the greatest access. However, placement is somewhat flexible – confer with your contractor or architect.

Additionally, these units are very versatile and can be extremely useful in many areas of the practice, including multiple locations within a single operator.

