

16" InWall™ Storage (Item N1B1)



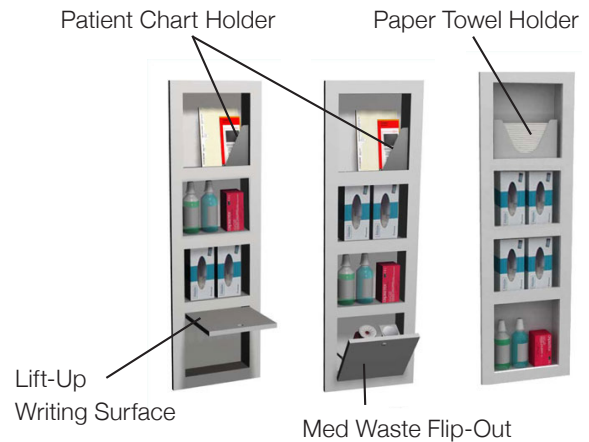
Shown with optional paper towel holder

Efficient InWall™ storage to add **functional, attractive utility** to the smallest spaces.

Standard Features

- Impact resistant, seamless Face Frame
- Bulk storage specifically designed to hold standard glove boxes

Accessories/Options



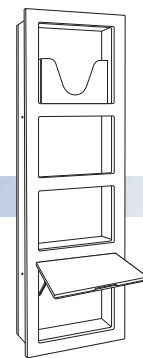
ACCESSORIES & CONFIGURATION UPGRADES

Accessories:

- Paper Towel Holder
- or - Patient Chart Holder

Configuration Upgrades:

- Flip-up Writing Surface
- or - Med-Waste Flip-out



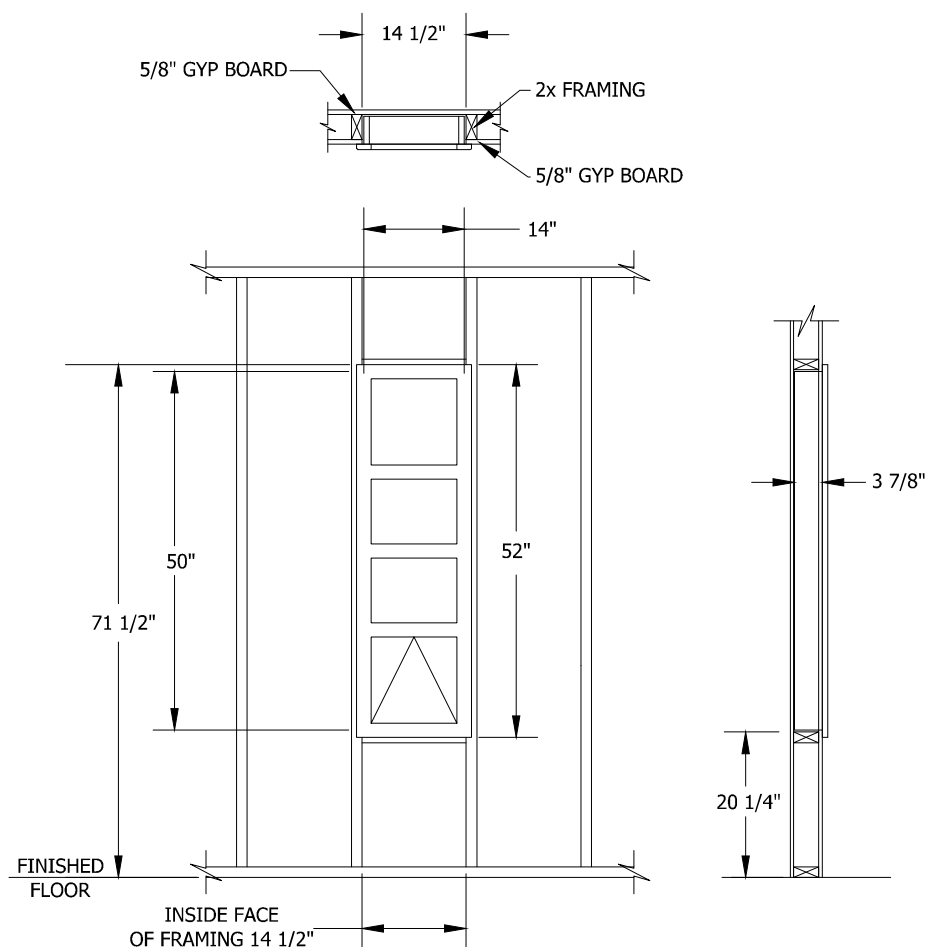
Shown with Optional Paper Towel Holder and Lift up Writing Surface

COLOR CHOICES

- Face Frame and interiors available in standard EP color choices.
- or - Upgrade to woodgrain finish interiors with matching Face Frame paint. (Standard EP woodgrain finishes)



Dimensions



Ideal Room Location

The primary location for 16" InWall Storage units is in the operatory on the right-hand side of the headwall. Placing the centerline of the unit directly in line with the head of the patient chair typically provides the assistant with the greatest access. However, placement is somewhat flexible – confer with your contractor or architect.

Additionally, these units are very versatile and can be extremely useful in many areas of the practice, including multiple locations within a single operatory.

