

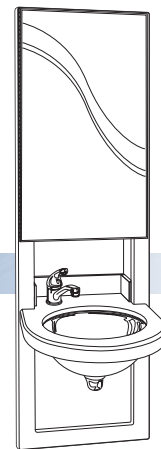
16" InWall™ Comfort Station (Item N1A1)



A touch of **comfort** to enhance your **patients' experience**, without having to leave the operatory.

Standard Features

- Large, hinged Mirror covers InWall storage
- Impact resistant, seamless Face Frame
- Chrome Faucet
- Brushed stainless under-mount Sink
- Beveled Corian Counter
- Corian Backsplash
- Utility Access Panel
- Recessed Paper Towel and Cup Dispenser behind Mirror



COLOR CHOICES

Corian Surface:

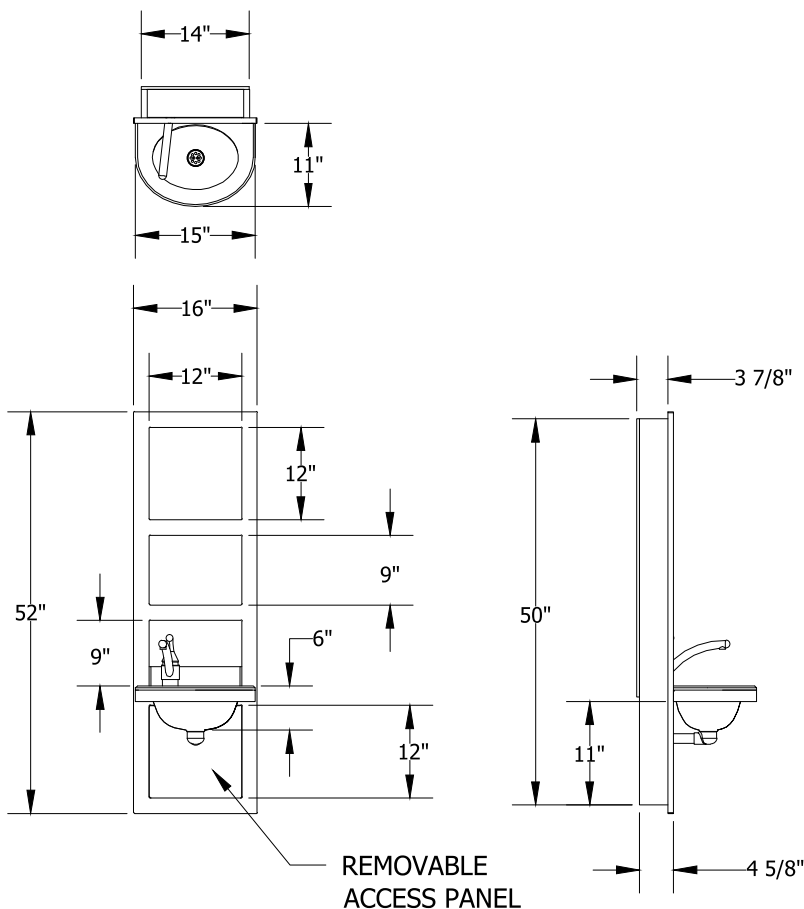
- Corian Surface available in standard and premium EP Corian color choices.

Cabinet Color Selections:

- Face Frame and interiors available in standard color choices.
- or - Upgrade to woodgrain finish interiors with matching Face Frame paint. (Standard EP woodgrain finishes)



Dimensions & Utilities



Plumbing Specifications

Unit is supplied with Delta 570 Single Lever Faucet and 1-1/4" 90° Tail-piece.

Plumber to provide:

- 1/2" Hot & Cold domestic supply lines with straight 1/4 turn-stop and 3/8" compression
- 1-1/2" DWV with P-Trap as shown

Ideal Room Location

The primary location for 16" Comfort Station units is in the operatory on the right-hand side of the headwall, roughly 2' from the toe-wall.

However, their compact size make these units very versatile allowing placement in different locations within the operatory (plumbing dependent).

